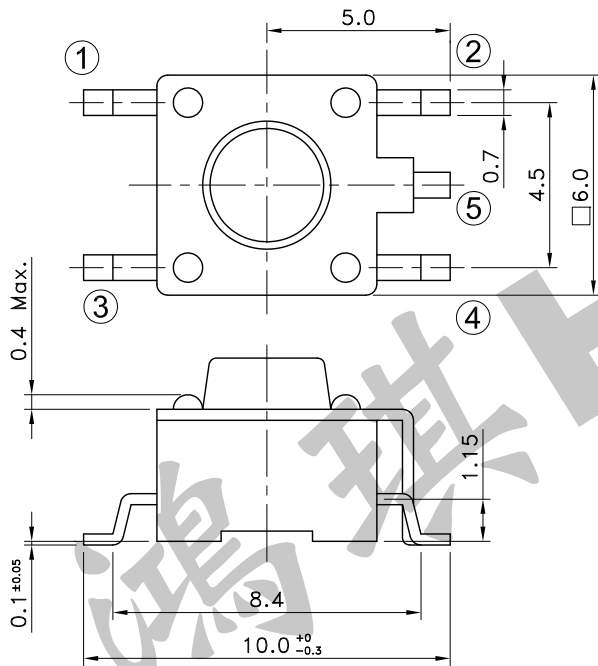
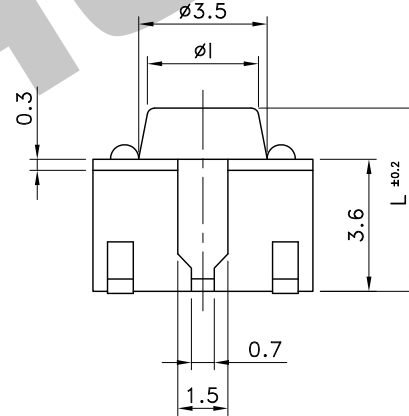


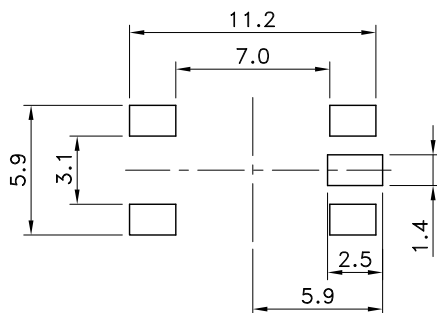
Part No.	STS-KA5	STS-KB5	STS-KC5	STS-KD5
L High(mm)	4.3	5.0	6.0	7.0
I Width	ø3.5	ø3.5	ø3.4	ø3.3
Stem Color	Green	Green	Green	Green
Taping	1,200 Pcs/Reel	1,200 Pcs/Reel	1,200 Pcs/Reel	750 Pcs/Reel



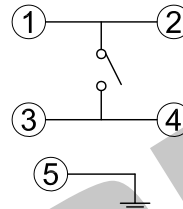
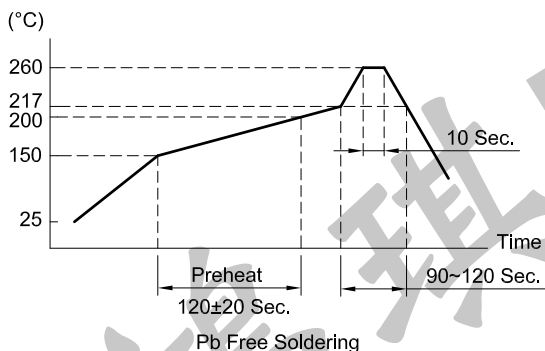
P.C.B TERMINAL POSITION



CIRCUIT ARRANGEMENT



REFLOW SOLDERING CONDITIONS



SPECIFICATIONS

- | | |
|---------------------------------|---|
| 1. Rating | : DC 24V 50mA |
| 2. Contact Resistance | : 100mΩ Max. |
| 3. Insulation Resistance | : 100MΩ Min. at DC 100V |
| 4. Dielectric Strength | : AC 250V for 1 Minute |
| 5. Operating Force | : 160±50gf |
| 6. Circuit | : SPST |
| 7. Stroke | : 0.25 ^{+0.2} / _{-0.1} mm |
| 8. Bounce | : 10 msec. Max. |
| 9. Life | : 1,000,000 Cycles |
| 10. Operating Temperature Range | : -20~+70°C |

REVISION:	DATE:	REVISION:	DATE:
UNIT:mm	THIRD ANGLE PROJECTION METHOD	TOL. UNLESS OTHERWISE STATED:±0.3	CODE NO.:HCH-343-6
ISSUED	CONFIRMED	PART NO.	
<i>John</i>	<i>Elvis</i>	STS-KA5~KD5	
2020.06.19	2020.06.19	HCH HORNG CHIH ISO9001 Certified ISO14001 Certified 鴻琪股份有限公司	