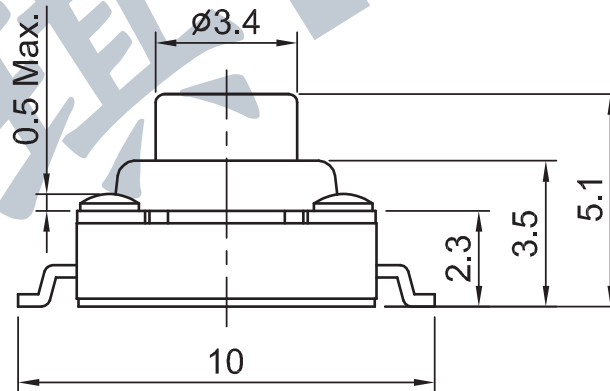
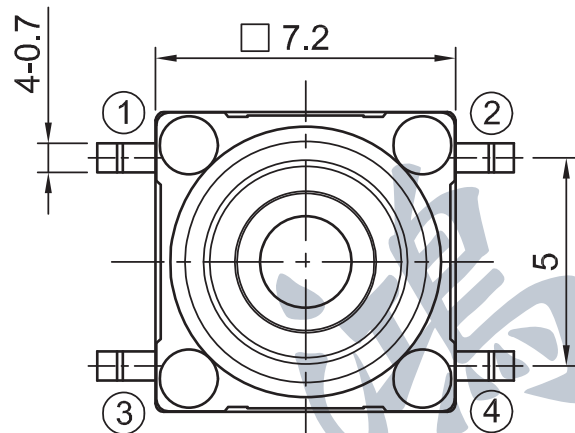
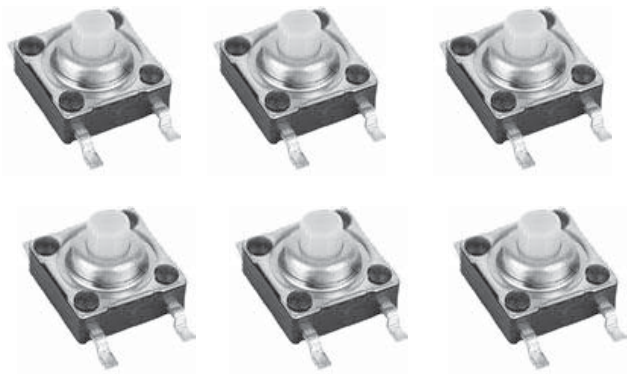


# SMD TACTILE SWITCHES

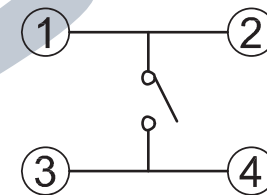
WATER PROOF : IP67

STS-230 H=5.1mm

- Rating: DC12V 50mA
- Stroke: 0.25mm
- Force: 260±50gf
- Life: 100,000 Cycles
- Package: 1,000 Pcs/Reel



Circuit



Pad Layout

