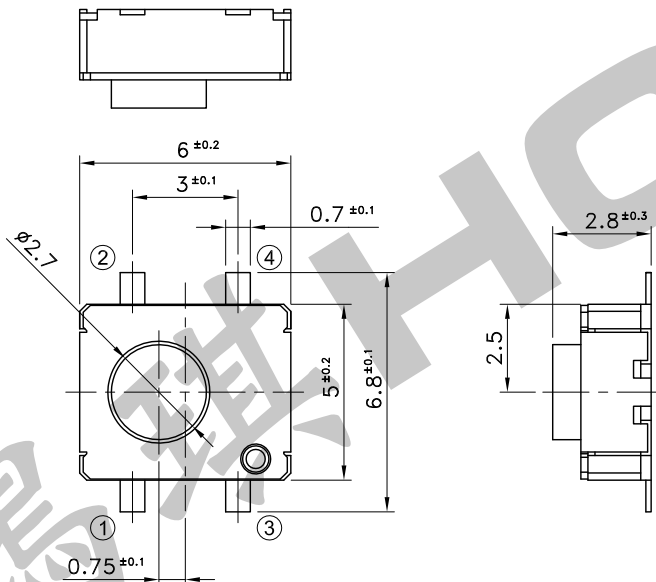


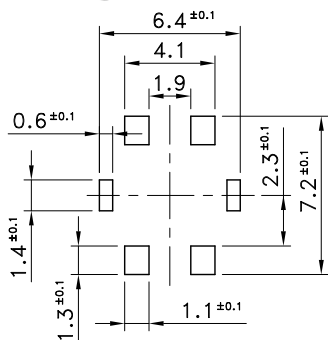
LED Specifications											
Color	Vr	Reverse Current (Ir)	D.C. Forward Current (If)	Pd (mW)	Peak Wave Length (λp) nm	Dominant Wave Length (λd) nm		Vf (at 20mA)		Iv (at 20mA)	
						Typ.	Max.	Typ.	Max.	Min.	Typ.
Red	DC 5V	100 μA	30mA	72	632	625		1.9	2.4	42.9	100
Green	DC 5V	100 μA	30mA	72	573	570		1.9	2.4	20	40
Yellow	DC 5V	100 μA	30mA	72	591	589		1.9	2.4	90.9	200
Blue	DC 5V	50 μA	30mA	120	—	465		3.2	4.0	27	60
White	DC 5V	50 μA	30mA	120	—	0.297, 0.295		3.0	4.0	500	870

Part No.	LED Color
STS-223-L2	Red
STS-223-L5	Green
STS-223-L6	White
STS-223-L7	Blue
STS-223-L8	Yellow

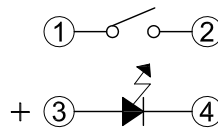


P.C.B TERMINAL POSITION

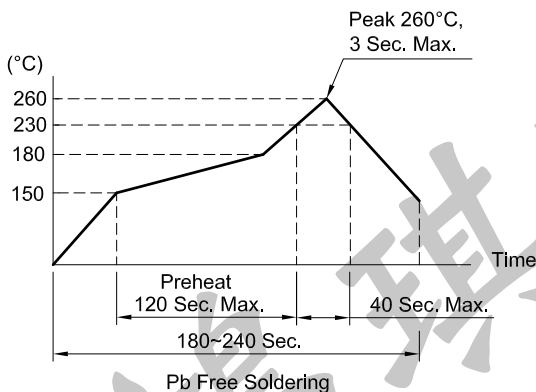
CIRCUIT ARRANGEMENT



SOLDERING CONDITIONS



SPECIFICATIONS



- Rating : DC 12V 50mA Max.
- Contact Resistance : 100mΩ Max.
- Insulation Resistance : 100MΩ Min. at DC 100V
- Dielectric Strength : AC 250V for 1 Minute
- Operating Force : 160±50gf
- Stroke : 0.5±0.15 mm
- Life : 100,000 Cycles
- Package : 1,650 Pcs/Reel
- Operating Temperature Range : -20~+70°C
- Storage Temperature Range : -30~+80°C

REVISION: \_\_\_\_\_ DATE: \_\_\_\_\_ REVISION: \_\_\_\_\_ DATE: \_\_\_\_\_

UNIT:mm THIRD ANGLE PROJECTION METHOD TOL. UNLESS OTHERWISE STATED:±0.3 CODE NO.: HCH-2526

ISSUED	CONFIRMED	<b>HCH</b> ISO9001 Certified ISO14001 Certified <b>HORNG CHIH</b> 鴻琪股份有限公司	PART NO.
<i>John</i> 2024.06.03	<i>Elvis</i> 2024.06.03		<b>STS-223</b>