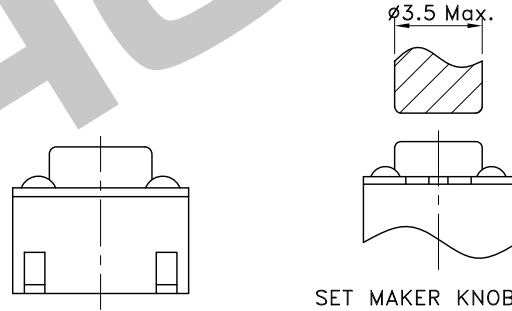
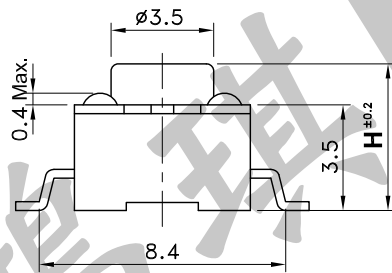
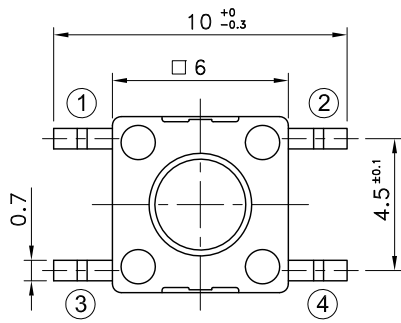


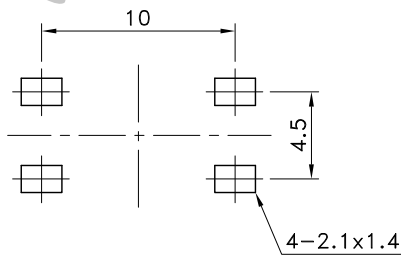
6	Cover	Stainless Steel		
5	Contact	Stainless Steel	Ag Clad	
4	Masking Tape	Pi Film		
3	Stem	PPA		UL 94HB
2	Terminal	Brass	Ag Plating	
1	T/Case	PPA		UL 94V-0, Black
NO.	Name	Material	Finish	Remarks

Part No.	High(H)	Stem Color
STS-222-A1	4.3 mm	Natural
STS-222-B1	5.0 mm	Cornsilk

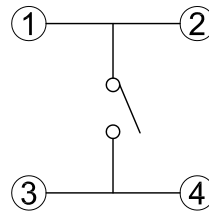


SET MAKER KNOB SIZE
(H:4.3mm ONLY)

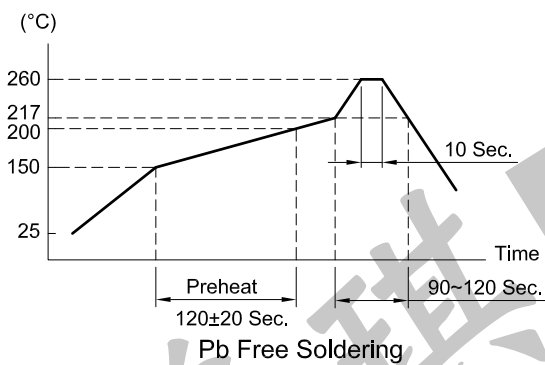
P.C.B TERMINAL POSITION



CIRCUIT ARRANGEMENT



REFLOW SOLDERING CONDITIONS



SPECIFICATIONS

- Rating : DC 12V 50mA
- Contact Resistance : 100mΩ Max.
- Insulation Resistance : 100MΩ Min. at DC 100V
- Dielectric Strength : AC 250V for 1 Minute
- Operating Force : 160±50gf
- Stroke : 0.2±0.1mm
- Life : 200,000 Cycles
- Package : 1,200 Pcs/Reel
- Operating Temperature Range : -20~+70°C
- Storage Temperature Range : -30~+80°C
- Manual soldering : Tip Temperature 400°C Max.
Soldering Time Within 4 Sec.
- Water Proof : IP67

REVISION: _____ DATE: _____ REVISION: _____ DATE: _____

UNIT:mm THIRD ANGLE PROJECTION METHOD TOL. UNLESS OTHERWISE STATED:±0.3 CODE NO.:HCH-2488

ISSUED	CONFIRMED	HORNG CHIH 鴻琪股份有限公司	PART NO.
 2022.08.09	 2022.08.09		STS-222