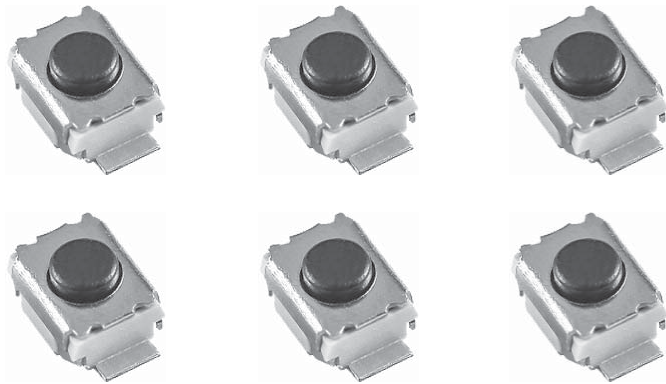


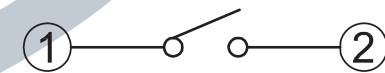
# SMD TACTILE SWITCHES

**STS-219** H=1.5mm

- Rating: DC12V 50mA
- Stroke: 0.15mm
- Force: 160±50gf
- Life: 200,000 Cycles
- Package: 3,000 Pcs/Reel



Circuit



Pad Layout

