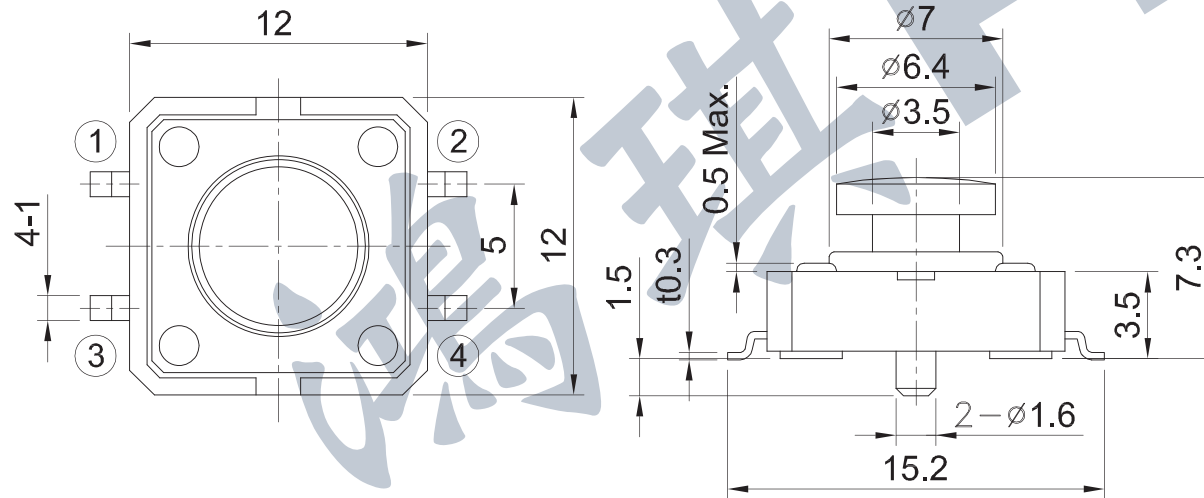
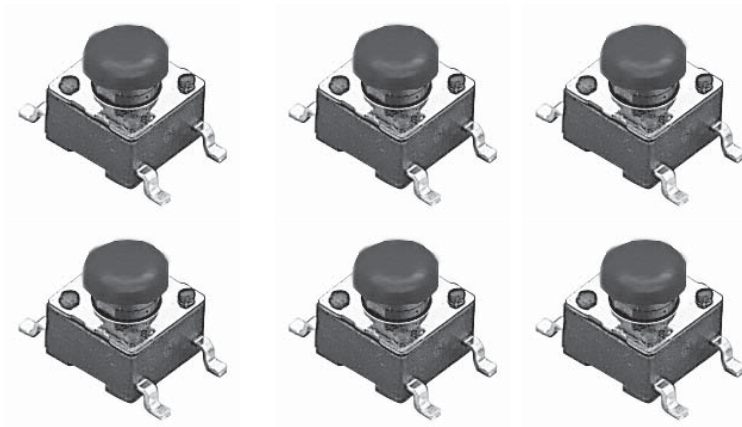


SMD TACTILE SWITCHES

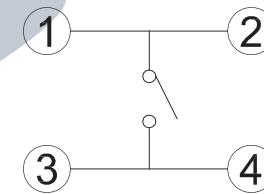
WITH TAB

STS-217 H=7.3mm

- Rating: DC12V 50mA
- Stroke: 0.3mm
- Force: 260±50gf
- Life: 1,000,000 Cycles
- Package: 500 Pcs/Reel



Circuit



Pad Layout

