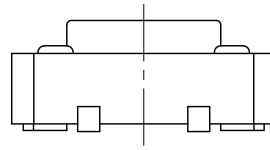
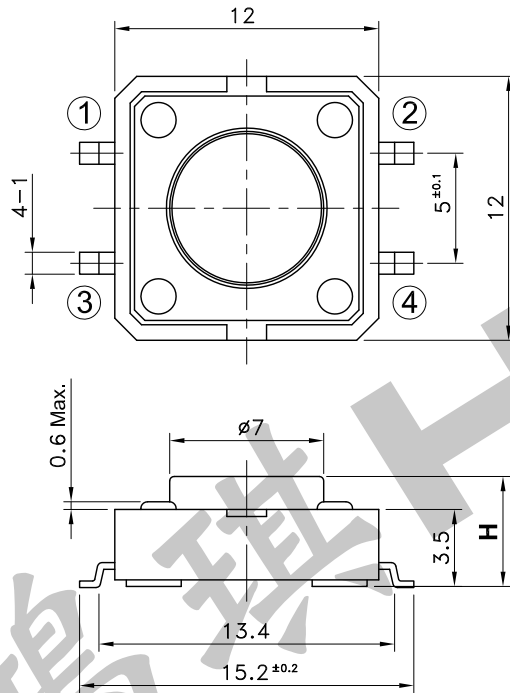
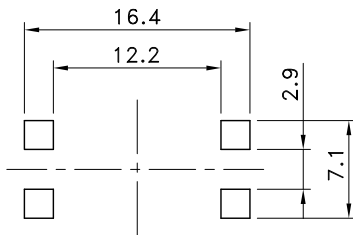


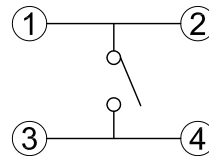
Part No.	Height	Operating Force
STS-216-A	H=4.3mm	160±50 gf
STS-216-B	H=5.0mm	220±50 gf



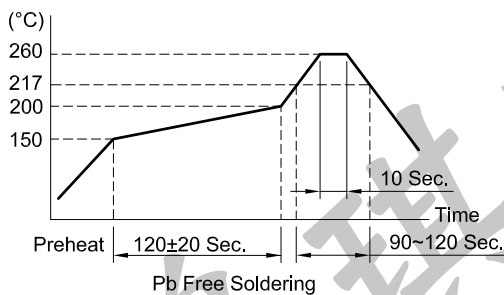
P.C.B TERMINAL POSITION



CIRCUIT ARRANGEMENT



SOLDERING CONDITIONS



SPECIFICATIONS

1. Rating : DC 12V 50mA
2. Contact Resistance : 100mΩ Max.
3. Insulation Resistance : 100MΩ Min. at DC 100V
4. Dielectric strength : AC 250V for 1 Minute
5. Stroke : 0.3±0.1 mm
6. Life : 100,000 Cycles
7. Package : 800 Pcs/Reel
8. Operating Temperature Range : -20~+70°C
9. Storage Temperature Range : -30~+80°C
10. Manual soldering : Tip Temperature 350±5°C
Soldering Time 5 Sec.

REVISION:		DATE:		REVISION:		DATE:	
UNIT:mm		THIRD ANGLE PROJECTION METHOD		TOL. UNLESS OTHERWISE STATED:±0.3		CODE NO.: HCH-2465	
ISSUED		CONFIRMED		HORNG CHIH HCH <small>ISO9001 Certified ISO14001 Certified</small> 鴻琪股份有限公司		PART NO. STS-216	
<i>John</i> 2022.01.06		<i>Elvis</i> 2022.01.06					