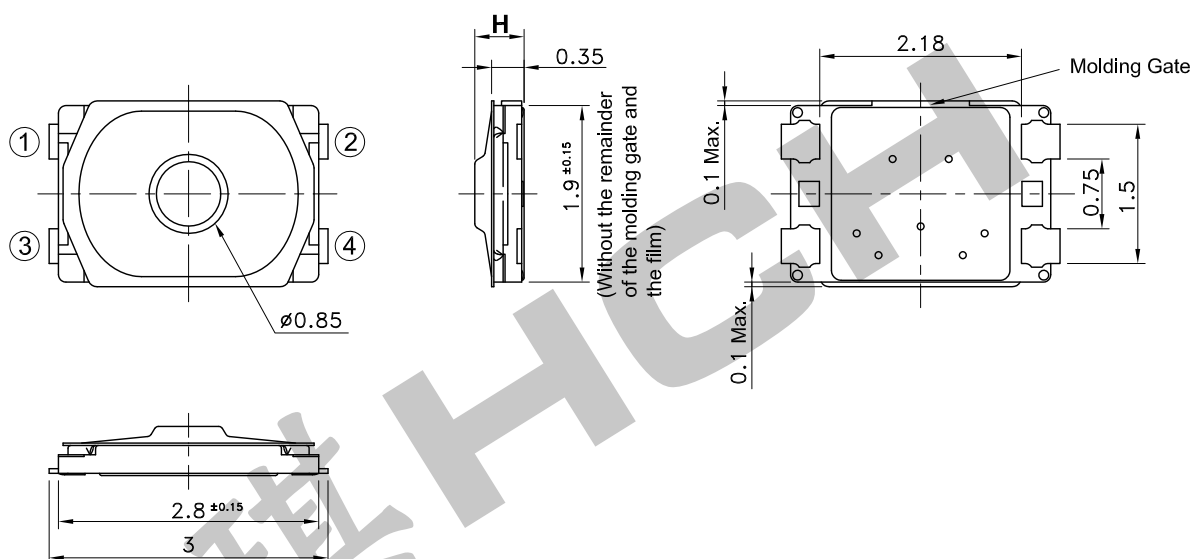
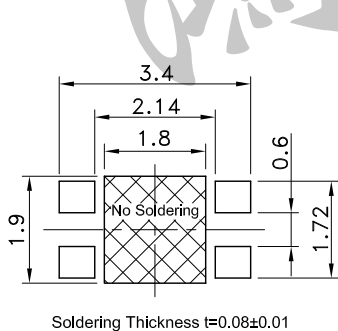


Part No.	Height	Operating Force	Package
STS-213-A	H=0.53mm	160±50gf	16,000 Pcs/Reel
STS-213-B	H=0.57mm	225±60gf	16,000 Pcs/Reel
STS-213-C	H=0.6mm	300±80gf	20,000 Pcs/Reel



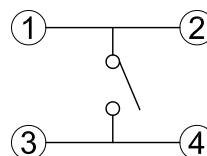
P.C.B TERMINAL POSITION



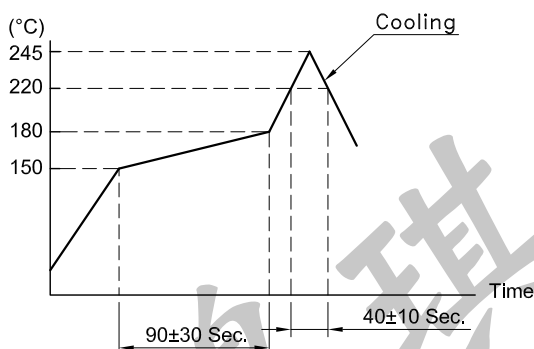
▨ : No Soldering

- Any land pattern or via holes shall not be provided at ▨ area.
- If it's necessary to design land pattern or via holes at ▨ area, please apply resist to them to protect their metal part completely.
- If their metal parts are not protected completely, short circuit failure may occur by solder ball.
- Besides, there should be convexoconcave by designing additional pattern. it may cause switch tilt, influence on solder-ability or flux intrusion after reflow soldering.
- Therefore, please study any influence of additional land pattern or via holes at ▨ area in advance.

CIRCUIT ARRANGEMENT



SOLDERING CONDITIONS



SPECIFICATIONS

- Rating : DC2V 10μA~DC15V 20mA
- Contact Resistance : 500mΩ Max.
- Insulation Resistance : 50MΩ Min. at DC 100V
- Dielectric Strength : AC 250V for 1 Minute
- Stroke : 0.15 mm
- Life : 300,000 Cycles Min.
- Operating Temperature Range : -40~+85°C
- Storage Temperature Range : -40~+85°C (Bulk)
-20~+60°C (Taping)

REVISION:		DATE:		REVISION:		DATE:	
UNIT:mm	THIRD ANGLE PROJECTION METHOD	TOL. UNLESS OTHERWISE STATED:±0.1		CODE NO.:HCH-2395			
ISSUED	CONFIRMED	HORNG CHIH HCH® ISO9001 Certified ISO14001 Certified 鴻琪股份有限公司				PART NO.	
John	Elvis					STS-213	
2021.03.16	2021.03.16						