

# SMD TACTILE SWITCHES

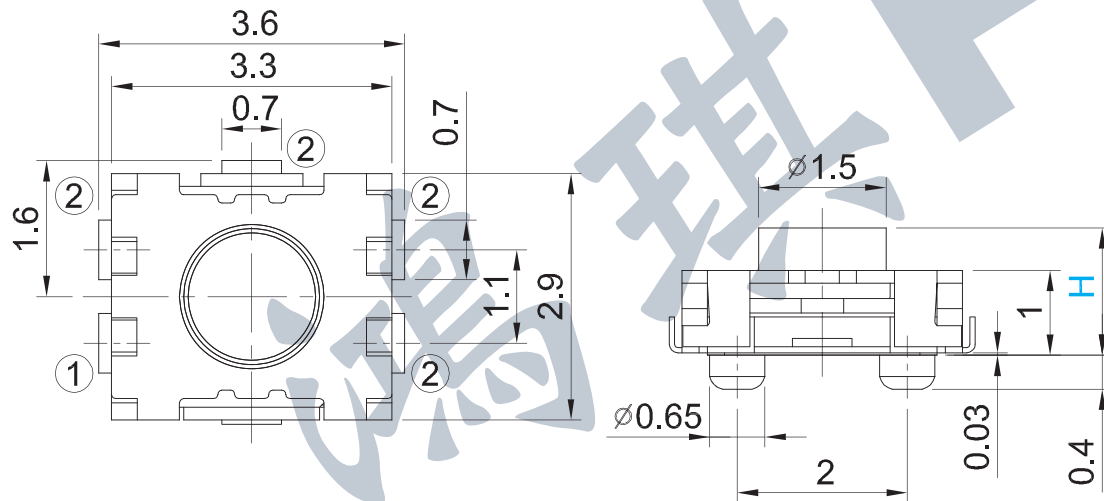
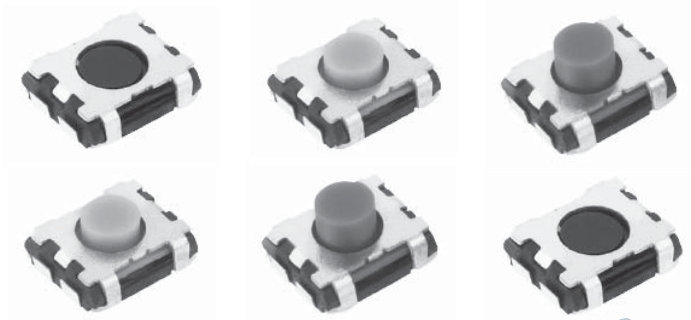
## GROUND TERMINAL TYPE WITH TAB

**STS-193** H=1.0mm

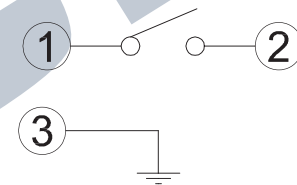
**STS-194** H=1.5mm

**STS-195** H=2.0mm

- Rating: DC12V 50mA
- Force: 160±60gf
- Life: 1,000,000 Cycles
- Package: 5,000 Pcs/Reel  
Except: STS-195: 4,000 Pcs/Reel



### Circuit



### Pad Layout

