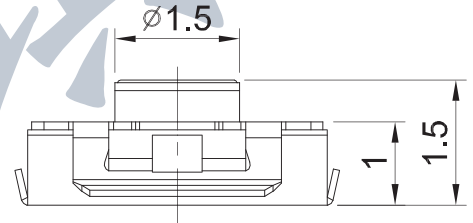
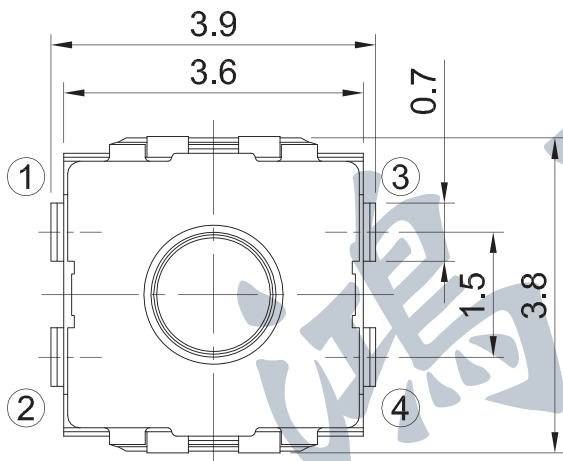
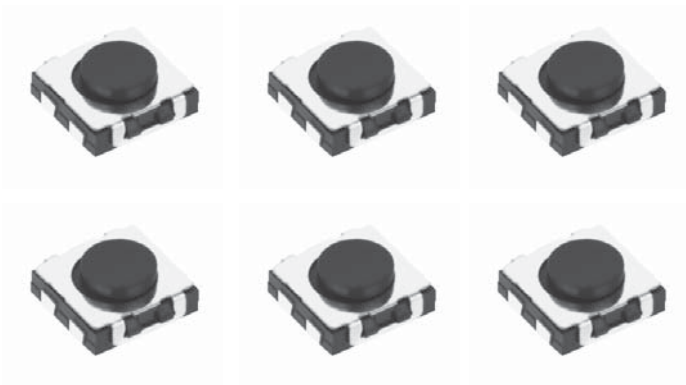


SMD TACTILE SWITCHES

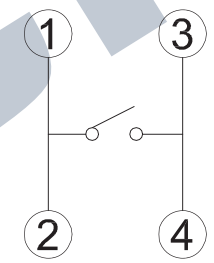
WITHOUT TAB

STS-192-A H=1.5mm
STS-192-C

- Rating: DC12V 50mA
- Force: STS-192-A: 190gf
STS-192-C: 350gf
- Life: STS-192-A: 1,000,000 Cycles
STS-192-C: 500,000 Cycles
- Package: 5,000 Pcs/Reel



Circuit



Pad Layout

