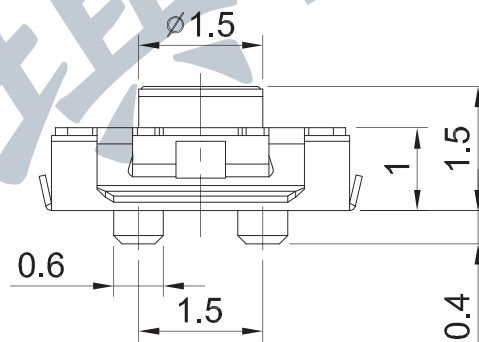
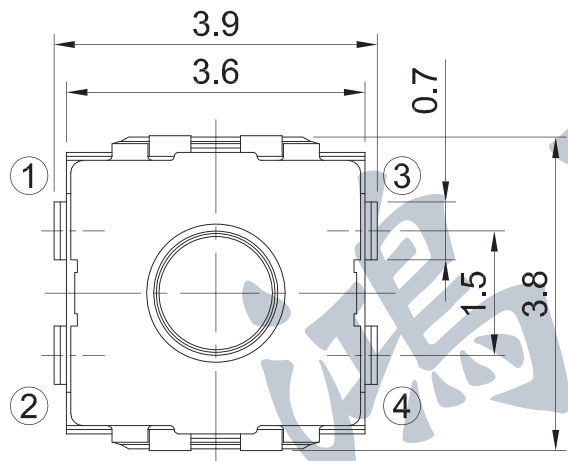
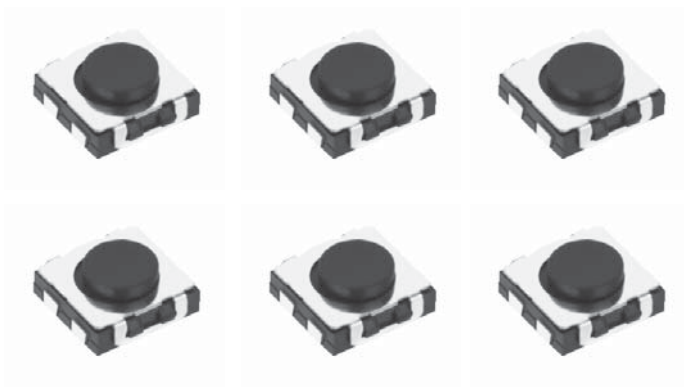


# SMD TACTILE SWITCHES

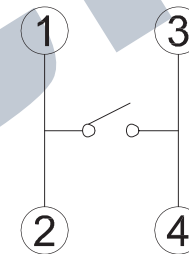
WITH TAB

**STS-191-A** H=1.5mm  
**STS-191-C**

- Rating: DC12V 50mA
- Force: STS-191-A: 190gf  
STS-191-C: 350gf
- Life: STS-191-A: 1,000,000 Cycles  
STS-191-C: 500,000 Cycles
- Package: 5,000 Pcs/Reel



Circuit



Pad Layout

