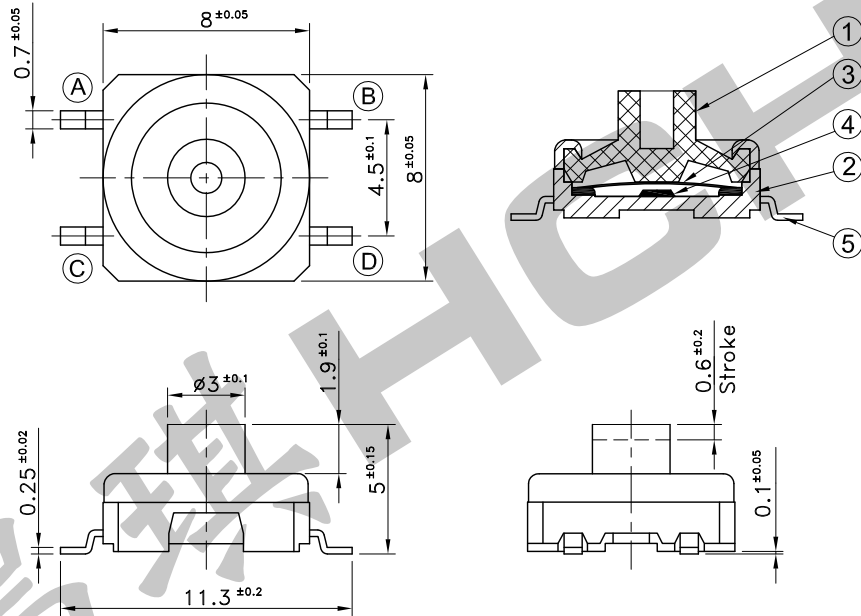
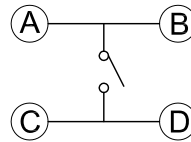
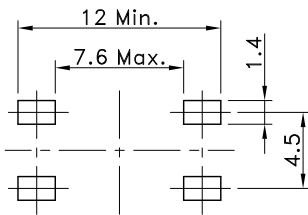


5	Terminal	Brass	Tin Plated	
4	Terminal Contact	Brass	1u" Gold Plated	
3	Contact Disc	Stainless Steel	Gold Plated over Nickel Barrier	
2	Base	Thermoplastic		UL 94V-0, Black
1	Button	Silicone		Nature
No.	Parts	Material	Finish	Remarks

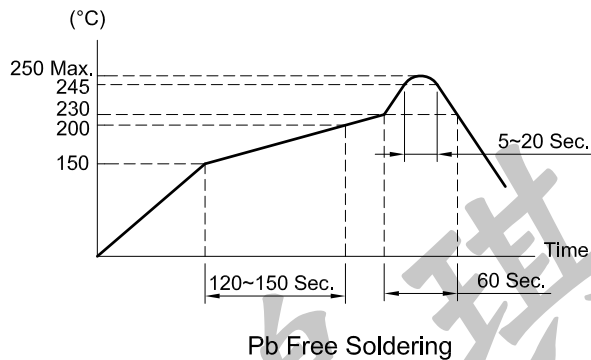


P.C.B TERMINAL POSITION

CIRCUIT ARRANGEMENT



SOLDERING CONDITIONS



SPECIFICATIONS

- Rating : AC/DC 42V 100mA
- Contact Resistance : 100mΩ
- Insulation Resistance : 100MΩ Min. at DC 100V
- Dielectric Strength : AC 250V for 1 Minute
- Operating Force : 350±60 gf
- Stroke : 0.6±0.2 mm
- Mechanical Life : 5,000,000 Cycles
- Operating Temperature Range : -40~+80°C
- Manual soldering : (1) Tip Temperature 350°C
Soldering Time 3 Sec. Max.
(2) Tip Temperature 270°C
Soldering Time 5 Sec. Max.
- Waterproof : IP67

REVISION:		DATE:		REVISION:		DATE:	
UNIT:mm		THIRD ANGLE PROJECTION METHOD		TOL. UNLESS OTHERWISE STATED:±0.3		CODE NO.:HCH-2027	
ISSUED		CONFIRMED		PART NO.			
John		Elvis		HCH® HORNG CHIH		STS-185	
2015.08.25		2015.08.25		ISO9001 Certified ISO14001 Certified 鴻琪股份有限公司			