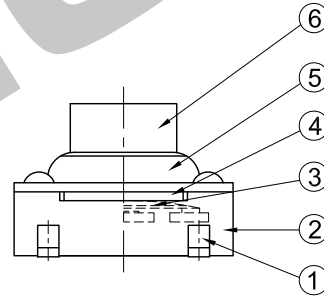
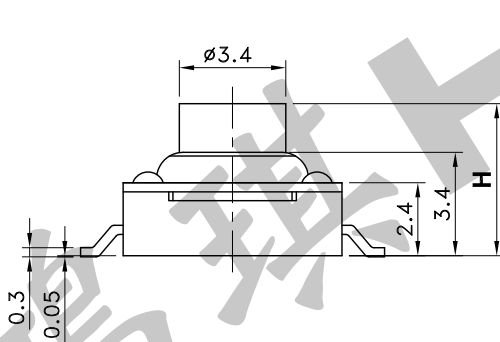
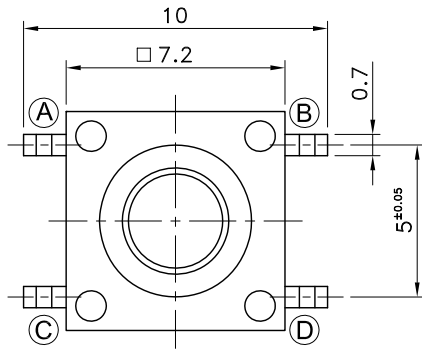
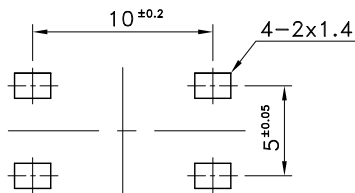


6	Stem	Nylon 6T	1	
5	Cover	C2680	1	Ag Plated
4	Rubber	Silicone	1	
3	Contact Dome	SUS	1	
2	Case	Nylon 6T	1	
1	Terminal	C2680	1	Ag Plated
NO.	Name	Material	Q'ty	Finish

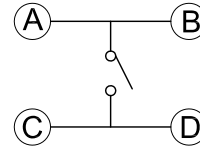
Part No.	High(H)
STS-184-A1	4.3 mm
STS-184-B1	5.0 mm



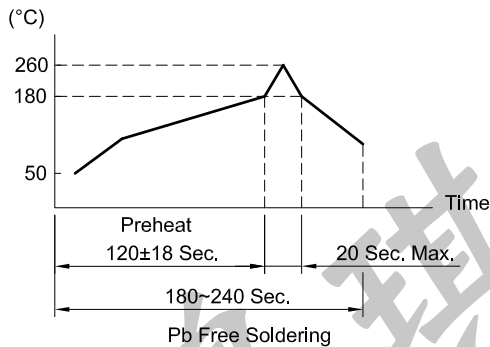
P.C.B TERMINAL POSITION



CIRCUIT ARRANGEMENT



SOLDERING CONDITIONS



SPECIFICATIONS

- Rating : DC 12V 50mA
- Contact Resistance : 100mΩ Max.
- Insulation Resistance : 100MΩ Min. at DC 100V
- Dielectric strength : AC 250V for 1 Minute
- Operating Force : 200±70gf
- Stroke : 0.3±0.1mm
- Life : 100,000 Cycles
- Package : 1,000 Pcs/Reel
- Operation Temperature Range : -20~+70°C
- Storage Temperature Range : -30~+80°C
- Water Proof : IPX7

REVISION:	DATE:	REVISION:	DATE:
UNIT:mm	THIRD ANGLE PROJECTION METHOD	TOL. UNLESS OTHERWISE STATED:±0.3	CODE NO.:HCH-1900
ISSUED	CONFIRMED	PART NO.	
<i>John</i>	<i>Elvis</i>	STS-184	
2013.09.30	2013.09.30	HCH ISO9001 Certified ISO14001 Certified HORNG CHIH 鴻琪股份有限公司	