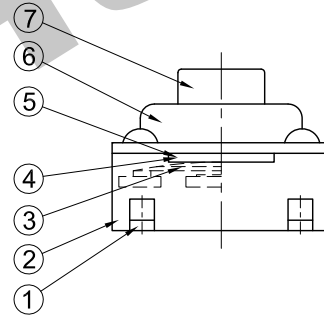
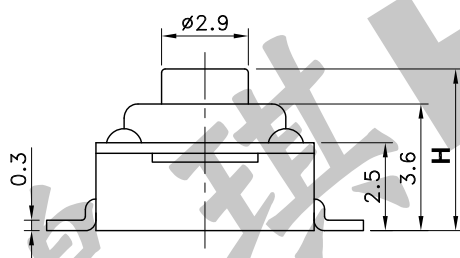
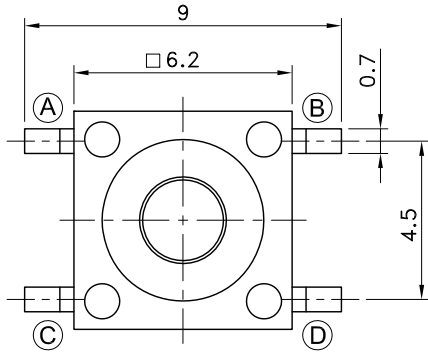


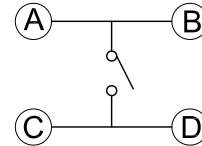
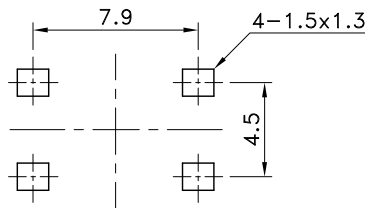
7	Stem	Nylon 6T	1	
6	Cover	C2680	1	Ag Plated
5	Rubber	Silicone	1	
4	Tape	Polyimide	1	
3	Contact Dome	SUS	1	
2	Case	Nylon 6T	1	
1	Terminal	C2680	1	Ag Plated
NO.	Name	Material	Q'ty	Finish

Part No.	High(H)
STS-183-A1	4.3 mm
STS-183-B1	5.0 mm



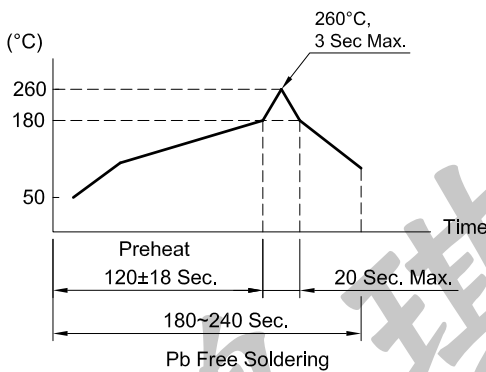
P.C.B TERMINAL POSITION

CIRCUIT ARRANGEMENT



SOLDERING CONDITIONS

SPECIFICATIONS



1. Rating : DC 12V 50mA
2. Contact Resistance : 100mΩ Max.
3. Insulation Resistance : 100MΩ Min. at DC 100V
4. Dielectric strength : AC 250V for 1 Minute
5. Operating Force : 250±70gf
6. Stroke : 0.2±0.1mm
7. Life : 100,000 Cycles
8. Package : 1,000 Pcs/Reel
9. Operation Temperature Range : -40~+70°C
10. Storage Temperature Range : -50~+80°C
11. Water Proof : IPX7

REVISION:		DATE:		REVISION:		DATE:	
UNIT:mm		THIRD ANGLE PROJECTION METHOD		TOL. UNLESS OTHERWISE STATED:±0.3		CODE NO.:HCH-1898-1	
ISSUED		CONFIRMED		PART NO.		<h1>STS-183</h1>	
<i>John</i>		<i>Elvis</i>		<h2>HORNG CHIH</h2> 鴻琪股份有限公司			
2018.06.05		2018.06.05					

