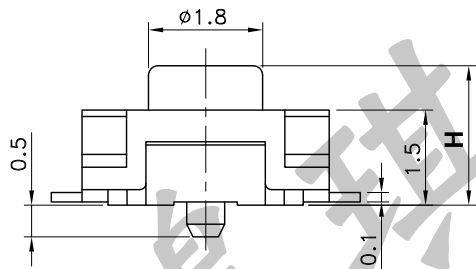
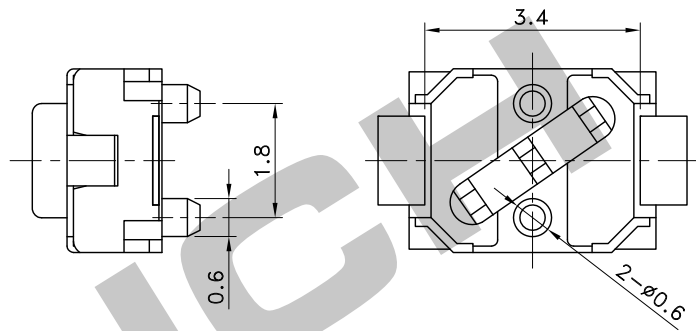
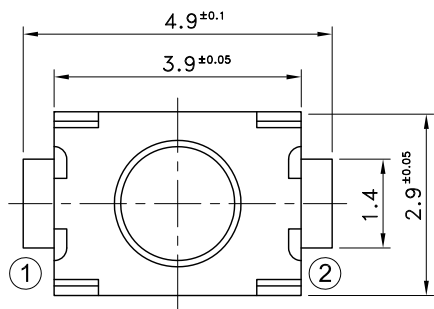
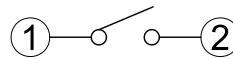
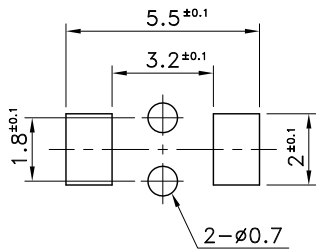


Part No.	Height (H)
STS-177	H=2.0mm
STS-178	H=2.5mm



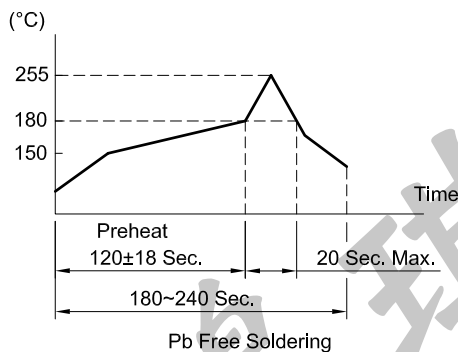
P.C.B TERMINAL POSITION

CIRCUIT ARRANGEMENT



SOLDERING CONDITIONS

SPECIFICATIONS



1. Rating : DC 12V 50mA
2. Contact Resistance : 100mΩ Max.at DC 5V 1A
3. Insulation Resistance : 100MΩ Min. at DC 100V
4. Dielectric strength : AC 250V for 1 Minute
5. Operating Force : 160±60gf
6. Stroke : 0.2±0.1mm
7. Life : 100,000 Cycles
8. Package : 3,000 Pcs/Reel
9. Operation Temperature Range : -20~+70°C
10. Storage Temperature Range : -30~+80°C

REVISION:		DATE:		REVISION:		DATE:	
UNIT:mm	THIRD ANGLE PROJECTION METHOD	TOL. UNLESS OTHERWISE STATED:±0.3		CODE NO.:HCH-1906-1			
ISSUED	CONFIRMED	HORNG CHIH HCH® ISO9001 Certified ISO14001 Certified 鴻琪股份有限公司				PART NO.	
John	Elvis					STS-177	
2016.01.07	2016.01.07						