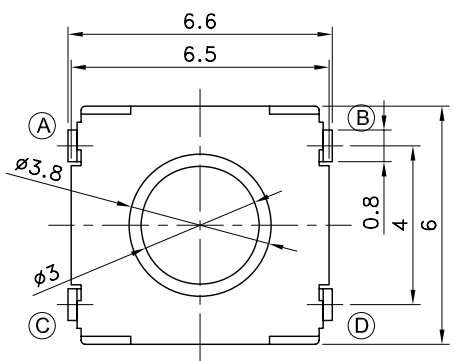
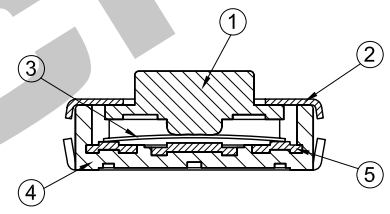
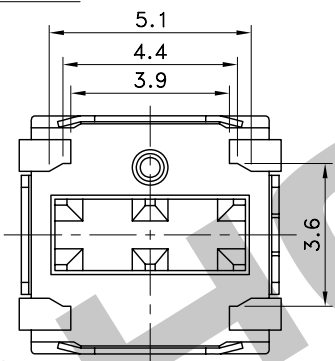


5	Immovable Contactor	Brass Plate	Silver Plating
4	Mounting Base	PPA	
3	Movable Contactor	Cold Rolled Stainless Steel Strip for Springs	One Side Silver Plating
2	Cover	Stainless Steel Sheet	One Side Silver Plating
1	Push Plate	PPA	
No.	Parts	Material	Finish

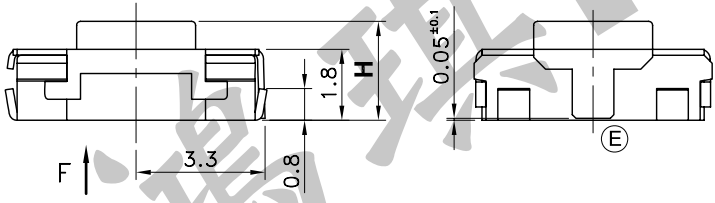
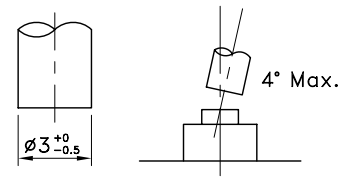
Part No.	Height	Package
STS-173	H=2.0mm	4,000 Pcs/Reel
STS-174	H=2.5mm	2,000 Pcs/Reel
STS-175	H=3.1mm	2,000 Pcs/Reel



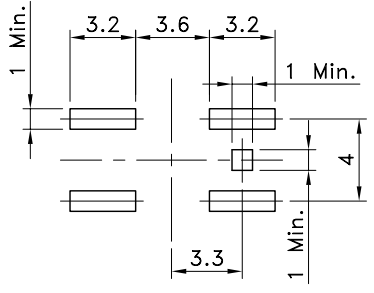
VIEW F



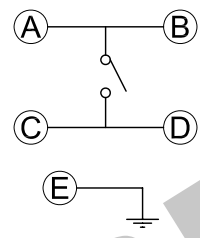
Recommend use cap shape dimension



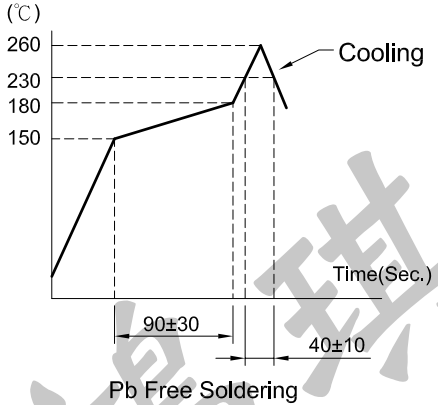
P.C.B TERMINAL POSITION



CIRCUIT ARRANGEMENT



REFLOW SOLDERING CONDITIONS



Pb Free Soldering

SPECIFICATIONS

- Rating : DC 15V 20 mA Max.
DC 2V 10 μA Min.
- Contact Resistance : 100mΩ Max.
- Insulation Resistance : 100MΩ Min. at DC 100V
- Dielectric strength : AC 250V for 1 Minute
- Operating Force : 350±100gf
- Stroke : 0.25±0.1mm
- Life : 100,000 Cycles
- Operating Temperature Range : -40~+85°C
- Storage Temperature Range : -40~+85°C (Bulk)
: -20~+60°C (Taping)
- Reflow Soldering Profile : According Reflow Profile
2 Times

REVISION: _____ DATE: _____ REVISION: _____ DATE: _____

UNIT:mm THIRD ANGLE PROJECTION METHOD TOL. UNLESS OTHERWISE STATED:±0.2 CODE NO.:HCH-1935

ISSUED	CONFIRMED	HORNG CHIH 鴻琪股份有限公司	PART NO.
<i>John</i> 2014.01.21	<i>Elvis</i> 2014.01.21		STS-173 STS-174 STS-175