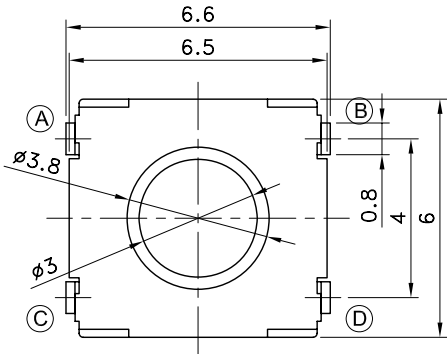
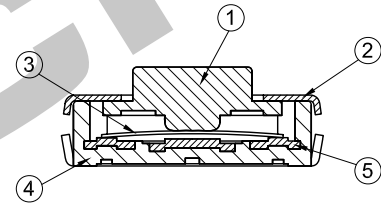
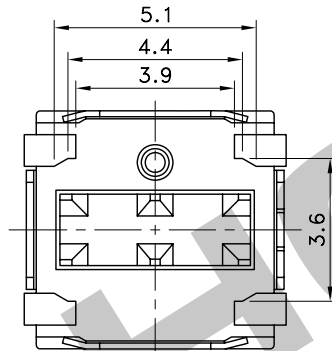


5	Immovable Contactor	Brass Plate	Silver Plating
4	Mounting Base	PPA	
3	Movable Contactor	Cold Rolled Stainless Steel Strip for Springs	One Side Silver Plating
2	Cover	Stainless Steel Sheet	One Side Silver Plating
1	Push Plate	PPA	
No.	Parts	Material	Finish

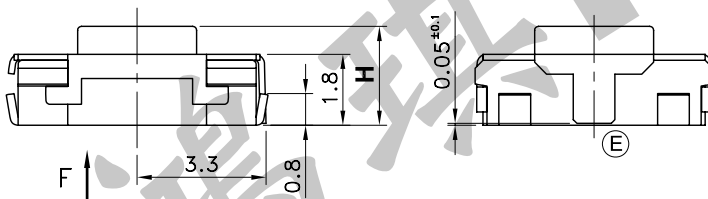
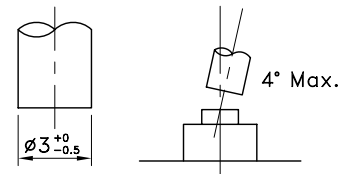
Part No.	Height	Package
STS-161	H=2.0mm	4,000 Pcs/Reel
STS-162	H=2.5mm	2,000 Pcs/Reel
STS-163	H=3.1mm	2,000 Pcs/Reel



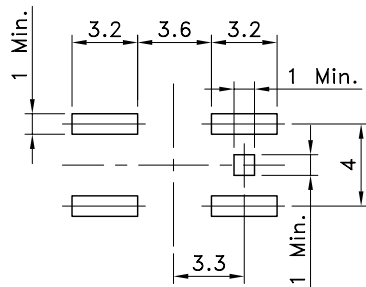
VIEW F



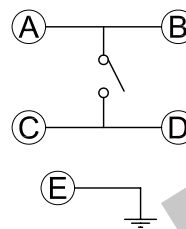
Recommend use cap shape dimension



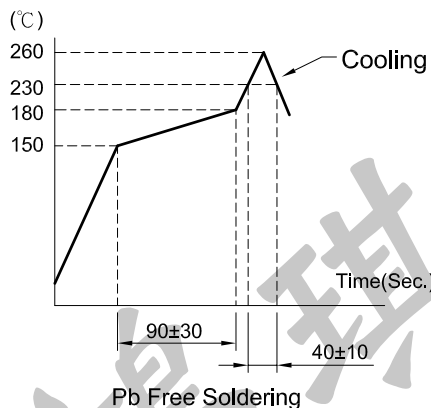
P.C.B TERMINAL POSITION



CIRCUIT ARRANGEMENT



REFLOW SOLDERING CONDITIONS



SPECIFICATIONS

- Rating : DC 15V 20 mA Max.
DC 2V 10 μ A Min.
- Contact Resistance : 100m Ω Max.
- Insulation Resistance : 100M Ω Min. at DC 100V
- Dielectric strength : AC 250V for 1 Minute
- Operating Force : 50 \pm 20gf
- Stroke : 0.2 \pm 0.1mm
- Life : 2,000,000 Cycles
- Operating Temperature Range : -40~+85°C
- Storage Temperature Range : -40~+85°C (Bulk)
: -20~+60°C (Taping)
- Reflow Soldering Profile : According Reflow Profile
2 Times

REVISION:	DATE:	REVISION:	DATE:
UNIT:mm	THIRD ANGLE PROJECTION METHOD	TOL. UNLESS OTHERWISE STATED:±0.2	CODE NO.:HCH-1933
ISSUED	CONFIRMED	PART NO.	
<i>John</i>	<i>Elvis</i>	STS-161	
2014.01.21	2014.01.21	STS-162	
		STS-163	
		HORNG CHIH 鴻琪股份有限公司	