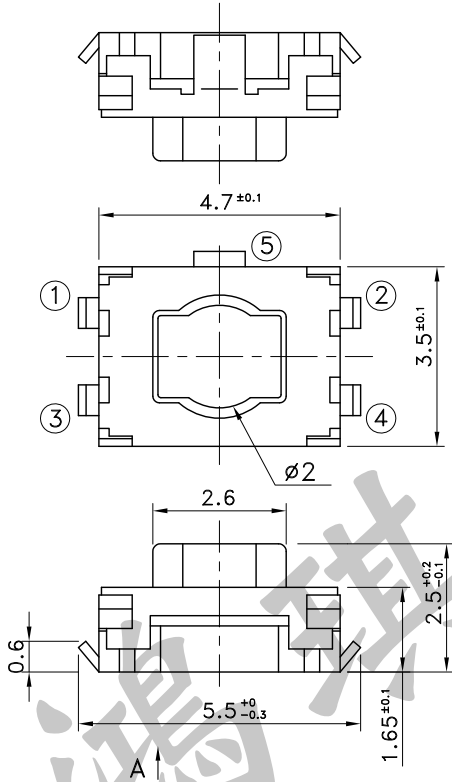
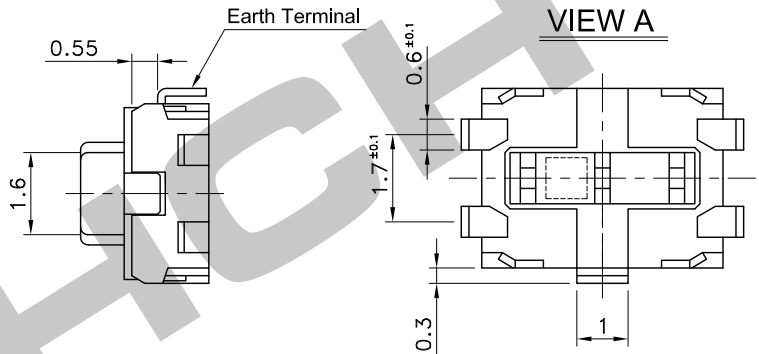


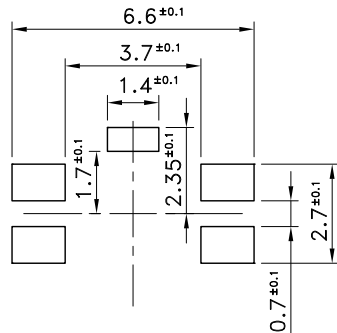
Part No.	Operating Force	Life
STS-154	100±50gf	1,000,000 Cycles
STS-154-A	160±50gf	1,000,000 Cycles
STS-154-B	240±60gf	500,000 Cycles
STS-154-C	350±100gf	200,000 Cycles
STS-154-E	500±150gf	200,000 Cycles



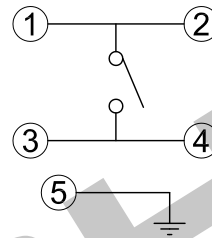
P.C.B TERMINAL POSITION



CIRCUIT ARRANGEMENT

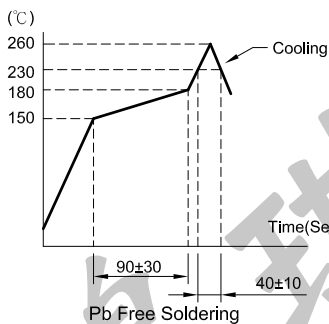


SOLDERING CONDITIONS



SPECIFICATIONS

- Rating : DC 15V 20mA Max.
DC 2V 10µA Min.
- Contact Resistance : 100mΩ Max.
- Insulation Resistance : 100MΩ Min.
- Dielectric strength : AC 250V for 1 Minute
- Stroke : 0.25^{+0.1}_{-0.2} mm
- Taping Package : 4,000 Pcs/Reel
- Operating Temperature Range : -40~+85°C



REVISION:	DATE:	REVISION:	DATE:
UNIT:mm	THIRD ANGLE PROJECTION METHOD	TOL. UNLESS OTHERWISE STATED:±0.3	CODE NO.: HCH-356
ISSUED	CONFIRMED	PART NO.	
John	Elvis	STS-154	
2012.04.24	2012.04.24	HCH HORNG CHIH ISO9001 Certified 鴻琪股份有限公司 ISO14001 Certified	