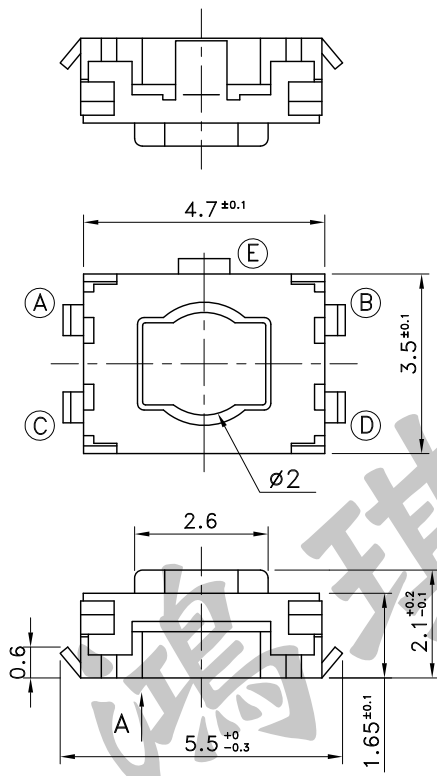
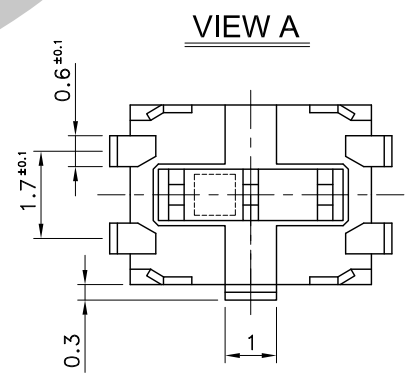
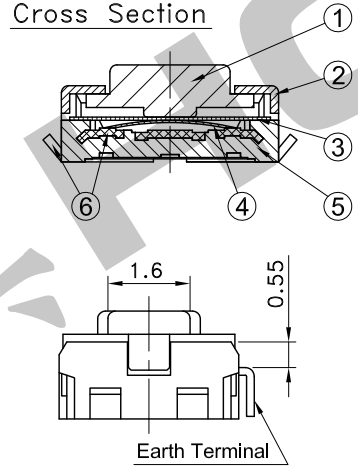


6	Fixed Terminal	Brass	Silver Plated
5	Mount	PPA	
4	Movable Contactor	Stainless Wire	Single Side Silver Plated
3	Film	Teflon	
2	Cover Plate	Stainless Wire	
1	Push Plate	PPA	
No.	Parts	Material	Finish

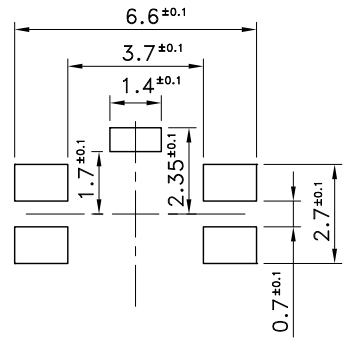
Part No.	Operating Force	Life
STS-152	100±50gf	1,000,000 Cycles
STS-152-A	160±50gf	1,000,000 Cycles
STS-152-B	240±60gf	500,000 Cycles
STS-152-C	350±100gf	200,000 Cycles
STS-152-E	500±150gf	200,000 Cycles



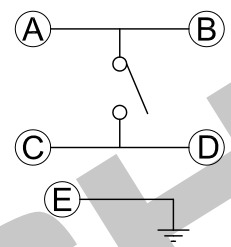
P.C.B TERMINAL POSITION



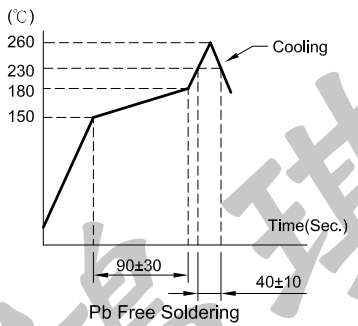
CIRCUIT ARRANGEMENT



SOLDERING CONDITIONS



SPECIFICATIONS



- Rating : DC 15V 20mA Max.
DC 2V 10µA Min.
- Contact Resistance : 100mΩ Max.
- Insulation Resistance : 100MΩ Min. at DC 100V
- Dielectric strength : AC 250V for 1 Minute
- Stroke : 0.25^{+0.05}_{-0.15} mm
- Taping Package : 4,000 Pcs/Reel
- Operating Temperature Range : -40~+85°C
- Storage Temperature Range : -40~+85°C (Bulk)
-20~+60°C (Taping)

REVISION:		DATE:		REVISION:		DATE:	
UNIT:mm		THIRD ANGLE PROJECTION METHOD		TOL. UNLESS OTHERWISE STATED:±0.2		CODE NO.: HCH-355-1	
ISSUED		CONFIRMED		HORNG CHIH HCH ISO9001 Certified ISO14001 Certified 鴻琪股份有限公司		PART NO. STS-152	
John	Elvis	2012.04.24	2012.04.24				