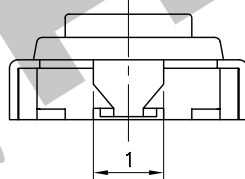
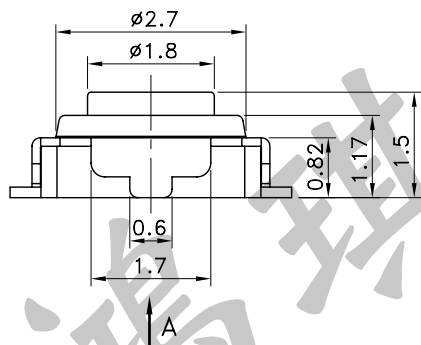
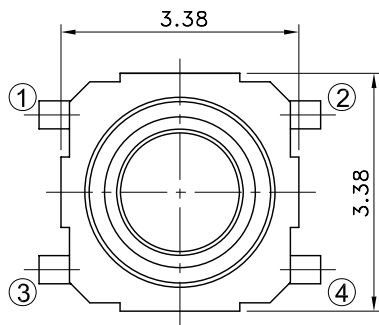
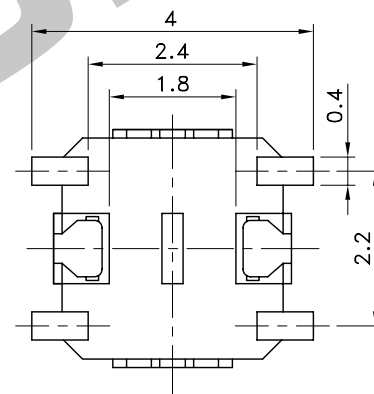


6	Tape			
5	Cover	t=0.1 SUS304		
4	Contact (ø2.5)	t=0.04 SUS301	Ag Clad	
3	Terminal	t=0.15 C2680R-EH	Ag Clad	
2	Stem	Arlen		
1	Case	Arlen		Black
No.	Parts	Material	Finish	Remarks

Part No.	Operating Force
STS-145-A	160±50gf
STS-145-B	260±50gf

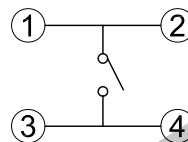
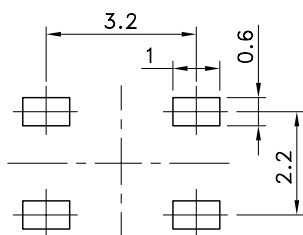


VIEW A

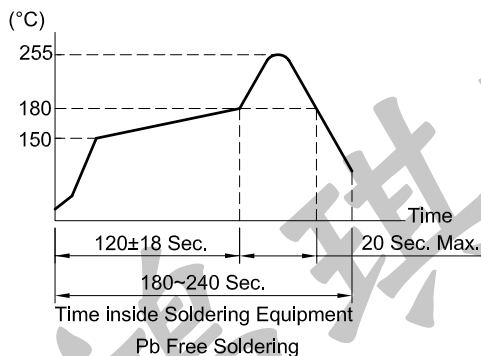


P.C.B TERMINAL POSITION

CIRCUIT ARRANGEMENT



SOLDERING CONDITIONS



SPECIFICATIONS

1. Rating : DC 12V 50mA
2. Contact Resistance : 100mΩ Max.
3. Insulation Resistance : 100MΩ Min. at DC 100V
4. Dielectric Strength : AC 250V for 1 Minute
5. Stroke : 0.15 ± 0.1 mm
6. Life : 100,000 Cycles
7. Operating Temperature Range : -30~+80°C
8. Operating Temperature Range : -30~+80°C

REVISION: _____ DATE: _____ REVISION: _____ DATE: _____

UNIT:mm THIRD ANGLE PROJECTION METHOD TOL. UNLESS OTHERWISE STATED:±0.3 CODE NO.: HCH-1823

ISSUED	CONFIRMED	 HORNG CHIH 鴻琪股份有限公司	PART NO.
<i>John</i> 2012.02.17	<i>Elvis</i> 2012.02.17		STS-145