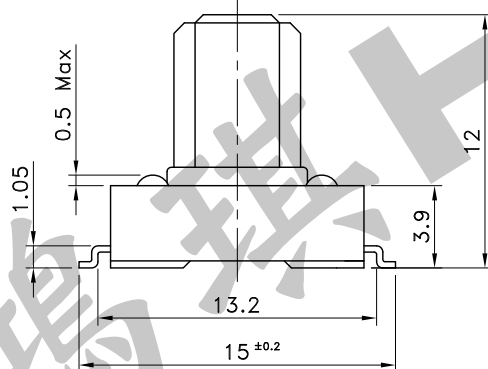
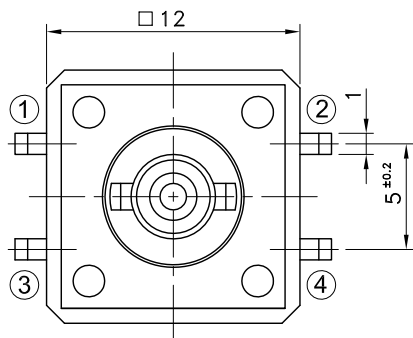


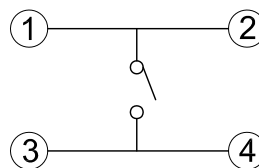
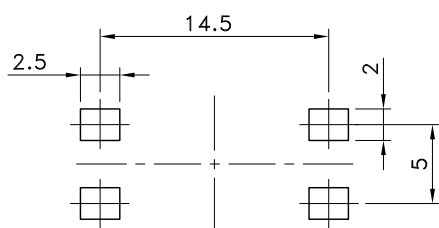
5	Contact	C5210R-EH	1	Ag 0.5u
4	Terminal	C2680R-EH	1	Ag 0.5u
3	Cover	SPTE	1	Sn
2	Stem	6T (ARLEN)	1	
1	Case	6T (ARLEN)	1	
No.	Parts	Material	Q'ty	Finish

Part No.	Operating Force
STS-137-A	160±50gf
STS-137-B	260±50gf



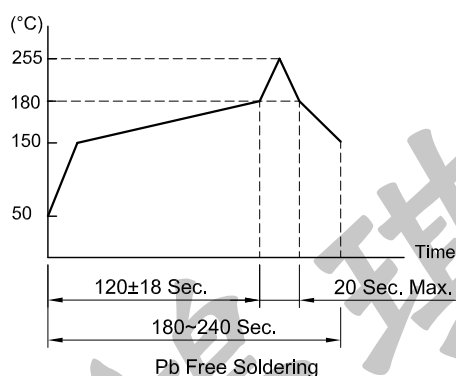
### P.C.B TERMINAL POSITION

### CIRCUIT ARRANGEMENT



### SOLDERING CONDITIONS

### SPECIFICATIONS



- Rating : DC 12V 50mA Max.
- Contact Resistance : 100mΩ Max.
- Insulation Resistance : 100MΩ Min. at DC 100V
- Dielectric Strength : AC 250V for 1 Minute
- Stroke : 0.3±0.1 mm
- Life : 50,000 Cycles
- Package : 250 Pcs/Reel
- Operating Temperature Range : -20~+70°C
- Storage Temperature Range : -30~+80°C

REVISION:

DATE:

REVISION:

DATE:

UNIT:mm

THIRD ANGLE PROJECTION METHOD

TOL. UNLESS OTHERWISE STATED:±0.3

CODE NO.:HCH-1620-1 (Y)

ISSUED

CONFIRMED

PART NO.

*John*

*Elvis*

**HCH**  
ISO9001 Certified  
ISO14001 Certified

**HORNG CHIH**  
鴻琪股份有限公司

**STS-137**

2016.09.23

2016.09.23