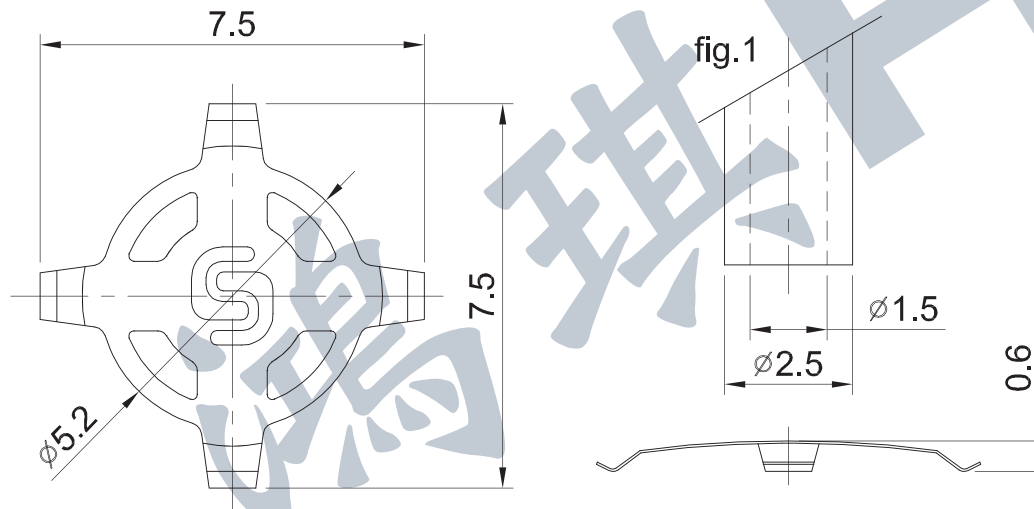
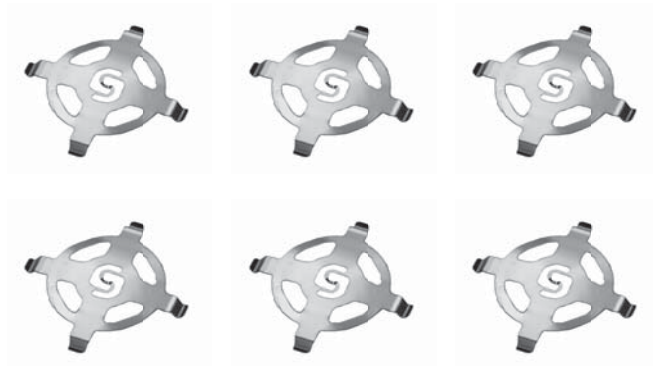


SMD TACTILE SWITCHES

METAL DOME SWITCH

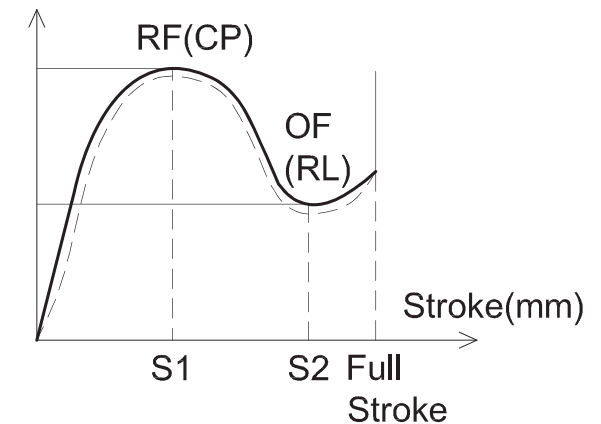
STS-133 H=0.6mm

- Stroke: 0.5mm
- Force: 50±20gf
- Life: 10,000,000 Cycles
- Package: 30,000 Pcs/Reel



OF: Operating Force(gf)
CP: Compression Peak Point
RF: Return Force(gf)
RL: Release Low Point
S2: Stroke(mm) In Contact Point

Force(gf)



FORCE CHARACTERISTIC