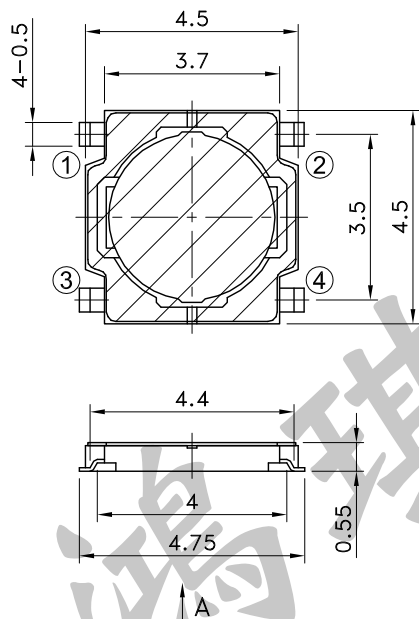
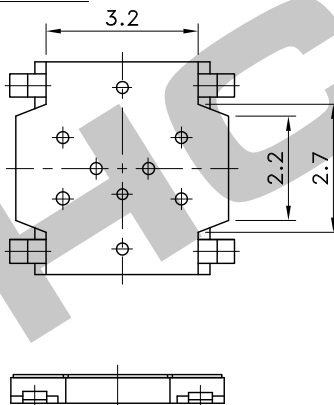


4	Contact	Stainless Steel	Ag Clad	
3	Masking Tape	Pi Film		
2	Terminal	Phosphor Bronze	Ag Plating	
1	Case	Nylon 46		UL94HB
No.	Parts	Material	Finish	Remarks

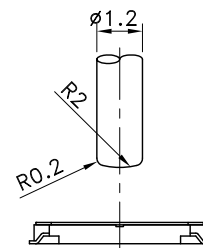
Part No.	Operating Force	Life	Case Color
STS-127	100±30gf	1,000,000 Cycles	Dark Gray
STS-127-A	160±50gf	500,000 Cycles	Black
STS-127-B	250±50gf	200,000 Cycles	Dark Brown



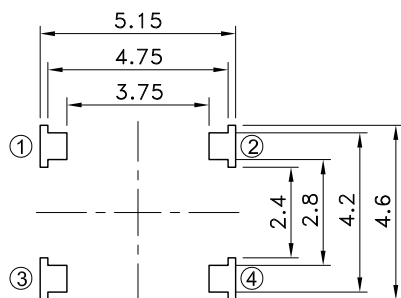
VIEW A



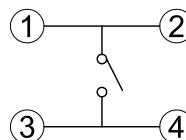
SET MAKER KNOB SIZE



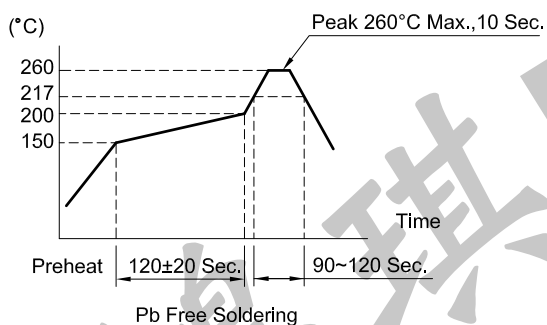
P.C.B TERMINAL POSITION



CIRCUIT ARRANGEMENT



SOLDERING CONDITIONS



SPECIFICATIONS

- Rating : DC 12V 50mA
- Contact Resistance : 200mΩ Max. at DC 5V 10mA
- Insulation Resistance : 50MΩ Min. at DC 100V
- Dielectric Strength : AC 250V for 1 Minute
- Stroke : 0.2±0.1mm
- Package : 5,000 Pcs/Reel
- Operating Temperature Range : -20~+70°C
- Storage Temperature Range : -25~+80°C
- Manual soldering : Tip Temperature 350±5°C
Soldering Time 3 Sec. Max.

REVISION:	DATE:	REVISION:	DATE:
UNIT:mm	THIRD ANGLE PROJECTION METHOD	TOL. UNLESS OTHERWISE STATED:±0.2	CODE NO.:HCH-1540-3
ISSUED	CONFIRMED	PART NO.	
<i>John</i>	<i>Elvis</i>	STS-127	
2017.09.11	2017.09.11	HCH ISO9001 Certified ISO14001 Certified HORNG CHIH 鴻琪股份有限公司	