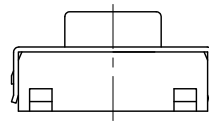
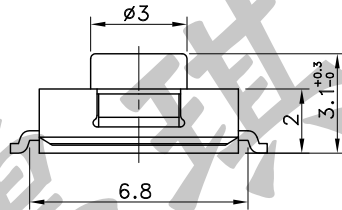
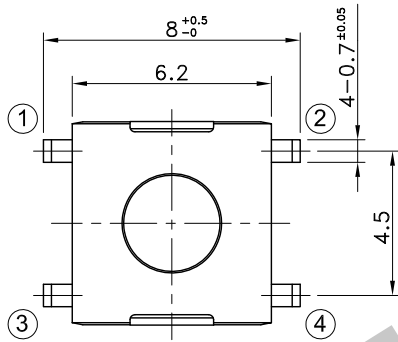
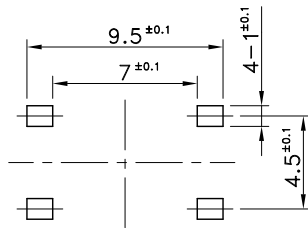


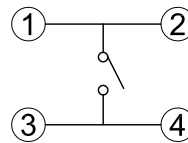
Part No.	Operating Force	Life	Stem Color	Case Color
STS-126-A	180±50gf	300,000 Cycles	Green	Black
STS-126-B	280±50gf	200,000 Cycles	Blue	Black



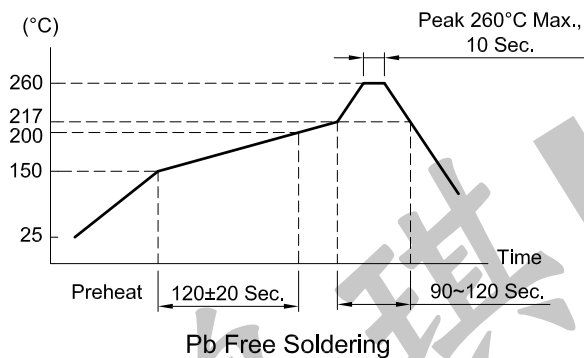
P.C.B TERMINAL POSITION



CIRCUIT ARRANGEMENT



SOLDERING CONDITIONS



SPECIFICATIONS

1. Rating : DC 12V 50mA
2. Contact Resistance : 100mΩ Max.
3. Insulation Resistance : 100MΩ Min. at DC 500V.
4. Dielectric Strength : AC 250V for 1 Minute
5. Stroke : 0.25±0.1 mm
6. Package : 1,500 Pcs/Reel
7. Operating Temperature Range : -30~+85°C
8. Storage Temperature Range : -30~+90°C
9. Manual soldering : Tip Temperature 400°C Max.
Soldering Time Within 4 Sec.
10. Dust Proof

REVISION:		DATE:		REVISION:		DATE:	
UNIT:mm	THIRD ANGLE PROJECTION METHOD	TOL. UNLESS OTHERWISE STATED:±0.3		CODE NO.:HCH-2055			
ISSUED	CONFIRMED	HORNG CHIH 鴻琪股份有限公司 <small>ISO9001 Certified ISO14001 Certified</small>		PART NO.			
John	Elvis			STS-126			
2016.02.18	2016.02.18						