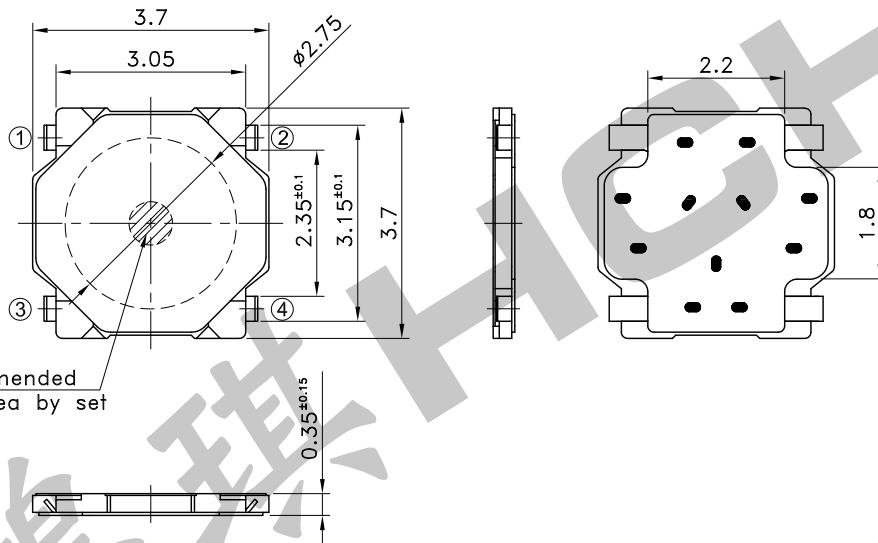
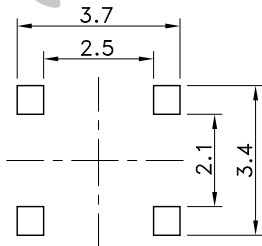


4	Dome Contact	Stainless Steel	Ag Clad	
3	Masking Tape	PI Film		
2	Terminal	Phosphor Bronze	Ag Plating	
1	Case	LCP		UL94V-0
No.	Parts	Material	Finish	Remarks

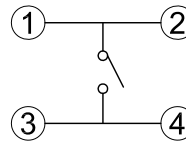
Part No.	Operating Force	Life	Case Color
STS-123-A	160±50 gf	500,000 Cycles	Black
STS-123-B	230±50 gf	50,000 Cycles	Dark Brown



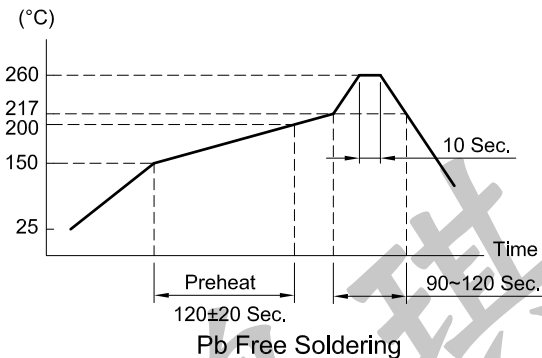
P.C.B TERMINAL POSITION



CIRCUIT ARRANGEMENT



SOLDERING CONDITIONS



SPECIFICATIONS

- Rating : DC 12V 50mA
- Contact Resistance : 100mΩ Max.
- Insulation Resistance : 100MΩ Min. at DC 100V
- Dielectric Strength : AC 250V for 1 Minute
- Stroke : 0.15±0.1 mm
- Package : 10,000 Pcs/Reel
- Operating Temperature Range : -30~+85°C
- Storage Temperature Range : -40~+90°C
- Reflow Soldering Profile : According Reflow Profile 2 Times
- Manual soldering : Tip Temperature 350±5°C Max. Soldering Time 3 Sec. Max.

REVISION:		DATE:		REVISION:		DATE:	
UNIT:mm		THIRD ANGLE PROJECTION METHOD		TOL. UNLESS OTHERWISE STATED:±0.3		CODE NO.:HCH-1628-2	
ISSUED		CONFIRMED		HORNG CHIH HCH ISO9001 Certified ISO14001 Certified 鴻琪股份有限公司		PART NO. STS-123	
John 2012.04.26	Elvis 2012.04.26						