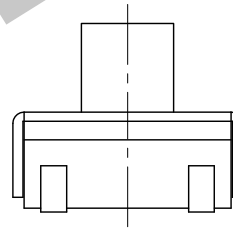
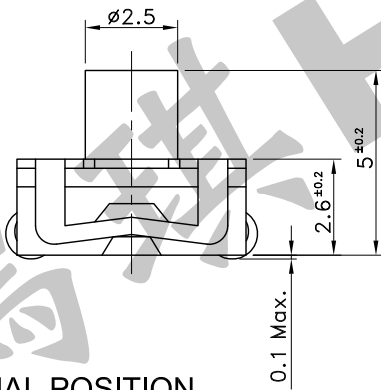
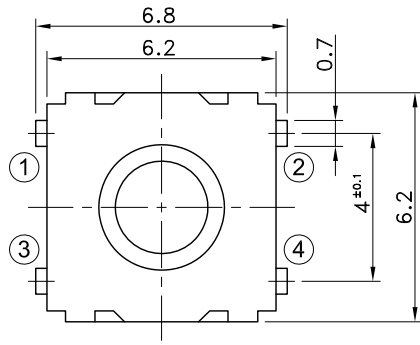


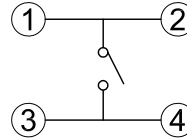
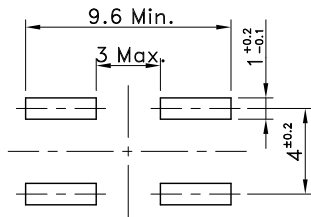
5	Terminal	Copper Alloy	Silver / Nickel Plating	
4	Contact	Stainless Steel		
3	Actuator	Silicon Rubber		
2	Cover	Stainless Steel		
1	Case	PPS		UL94V0, Brown
No.	Parts	Material	Finish	Remarks

Part No.	Operating Force	Stem Color
STS-122-A	160±50gf	Natural (Ivory)
STS-122-B	260±50gf	Red



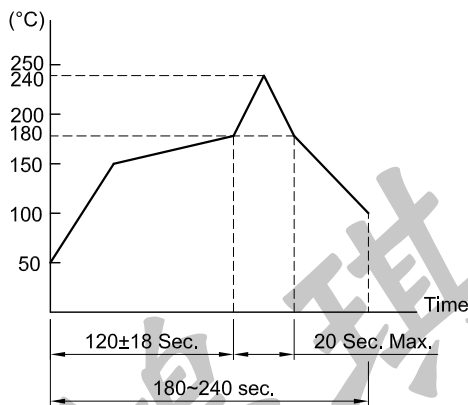
P.C.B TERMINAL POSITION

CIRCUIT ARRANGEMENT



SOLDERING CONDITIONS

SPECIFICATIONS



1. Rating : DC 12V 50mA
2. Contact Resistance : 100mΩ Max.
3. Insulation Resistance : 100MΩ Min. at DC 500V.
4. Dielectric Strength : AC 250V for 1 Minute
5. Stroke : 0.38±0.12 mm
6. Life : 500,000 Cycles
7. Package : 980 Pcs/Reel
8. Operating Temperature Range : -20~+80°C
9. Storage Temperature Range : -40~+85°C

REVISION:	DATE:	REVISION:	DATE:
UNIT:mm	THIRD ANGLE PROJECTION METHOD	TOL. UNLESS OTHERWISE STATED:±0.3	CODE NO.:HCH-2049-1
ISSUED	CONFIRMED	PART NO.	
<i>John</i>	<i>Elvis</i>	STS-122-A	
2020.06.11	2020.06.11	STS-122-B	
		<b>HORNG CHIH</b> 鴻琪股份有限公司	