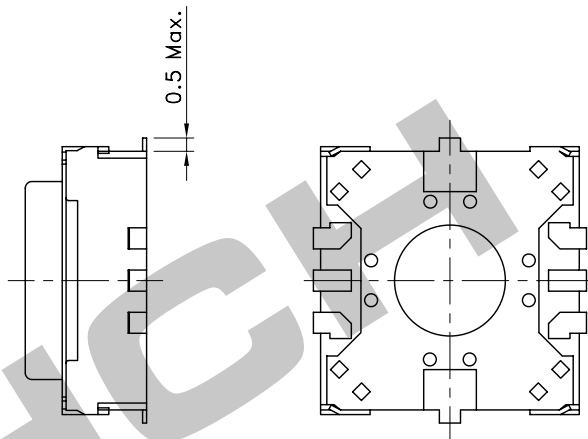
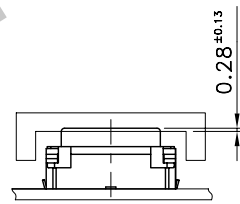
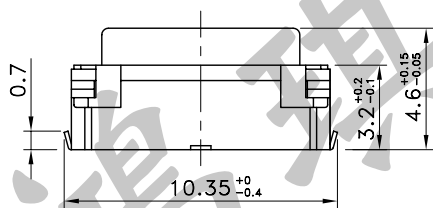


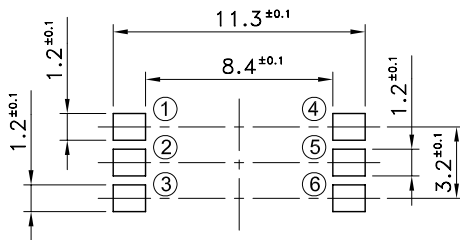
P.C.B TERMINAL POSITION



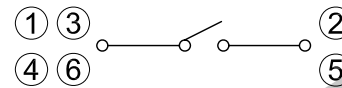
CIRCUIT ARRANGEMENT



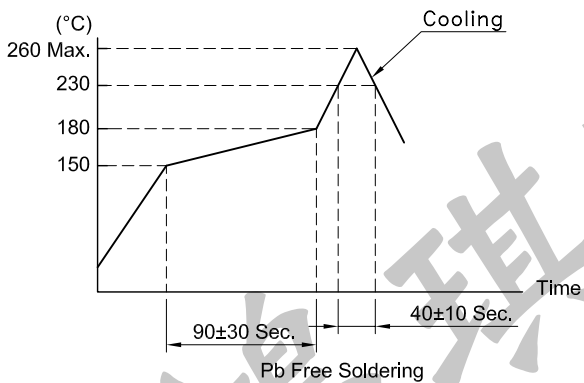
Initial Push Amount of Switch



SOLDERING CONDITIONS



SPECIFICATIONS



1. Rating : DC12V 50mA (Max.)
: DC2V 10µA (Min.)
2. Contact Resistance : 100mΩ Max.
3. Insulation Resistance : 100MΩ Min. at DC 100V
4. Dielectric strength : AC 250V for 1 Minute
5. Operating Force : 400±80gf
6. Stroke : 1±0.15mm
7. Life : 100,000 Cycles
8. Package : 1,000 Pcs/Reel
9. Operating Temperature Range : -40~+85°C
10. Storage Temperature Range : -40~+85°C (Bulk)
: -20~+60°C (Taping)
11. Reflow soldering : According Reflow Profile
Max. 2 Times.

REVISION:		DATE:		REVISION:		DATE:	
UNIT:mm		THIRD ANGLE PROJECTION METHOD		TOL. UNLESS OTHERWISE STATED:±0.3		CODE NO.: HCH-1328	
ISSUED		CONFIRMED		HORNG CHIH HCH ISO9001 Certified ISO14001 Certified 鴻琪股份有限公司		PART NO.	
John		Elvis				STS-112	
2008.03.12		2008.03.12					