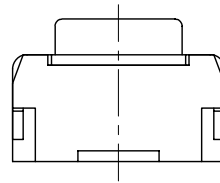
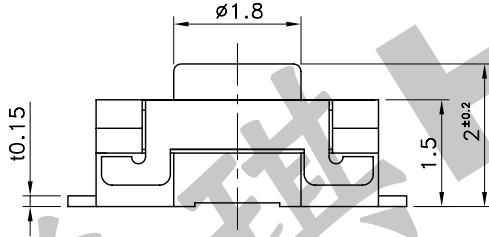
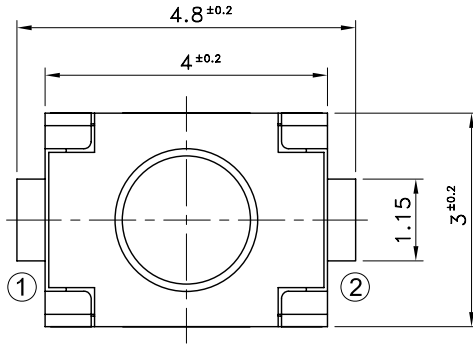
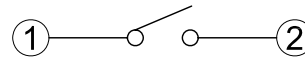
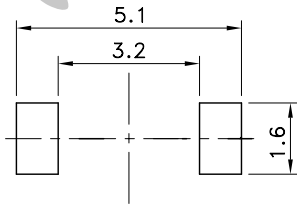


Part No.	Operating Force
STS-111-A	160±50 gf
STS-111-B	250±50 gf



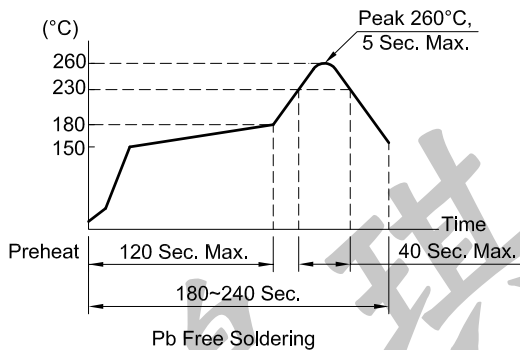
P.C.B TERMINAL POSITION

CIRCUIT ARRANGEMENT



SOLDERING CONDITIONS

SPECIFICATIONS



1. Rating : DC 12V 50mA
2. Contact Resistance : 100mΩ Max.
3. Insulation Resistance : 100MΩ Min. at DC 100V
4. Dielectric Strength : AC 250V for 1 Minute
5. Stroke : 0.2±0.1 mm
6. Life : 100,000 Cycles
7. Package : 2,500 Pcs/Reel
8. Operating Temperature Range : -20~+70°C
9. Storage Temperature Range : -30~+80°C
10. Reflow Soldering Profile : According Reflow Profile 2 Times

REVISION:		DATE:		REVISION:		DATE:	
UNIT:mm		THIRD ANGLE PROJECTION METHOD		TOL. UNLESS OTHERWISE STATED:±0.1		CODE NO.:HCH-1268-2 (D)	
ISSUED		CONFIRMED		HCH ISO9001 Certified ISO14001 Certified 鴻琪股份有限公司		PART NO.	
<i>John</i> 2012.01.18		<i>Elvis</i> 2012.01.18				STS-111-A STS-111-B	