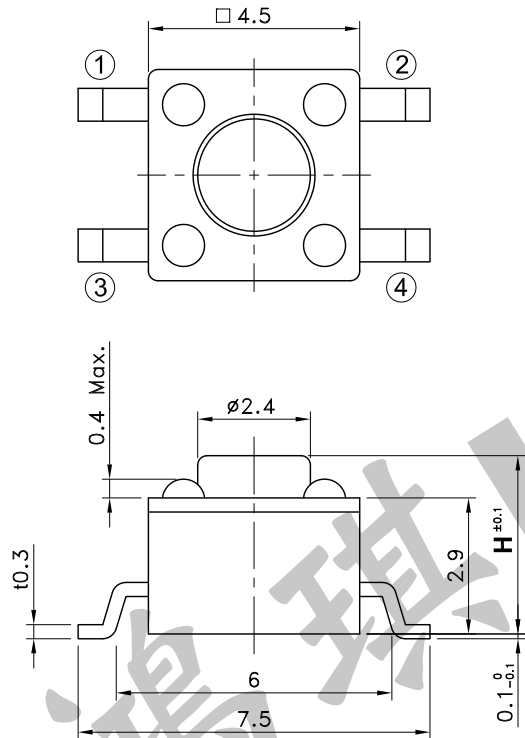
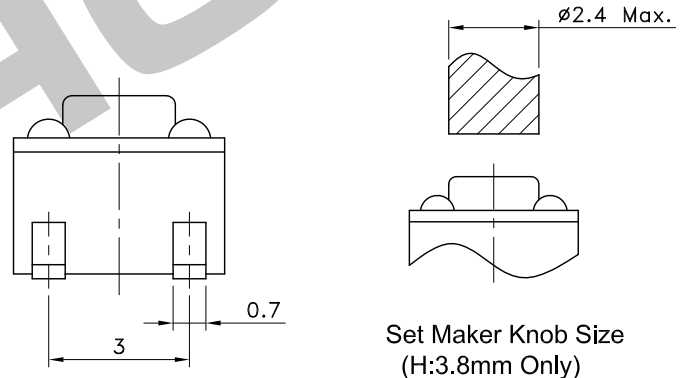


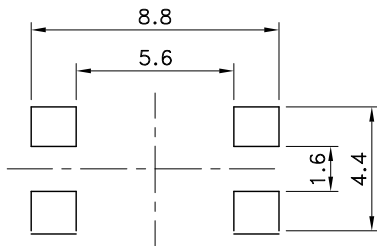
Part No.	High(H)	Package
STS-107	3.8 mm	2,000 Pcs/Reel
STS-107-B1	5.0 mm	1,500 Pcs/Reel
STS-107-D1	7.0 mm	800 Pcs/Reel



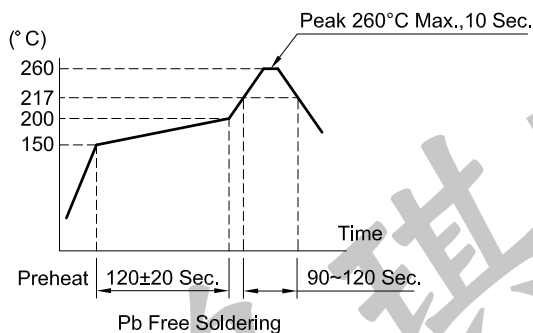
P.C.B TERMINAL POSITION



CIRCUIT ARRANGEMENT



SOLDERING CONDITIONS



SPECIFICATIONS

1. Rating : DC 12V 50mA
2. Contact Resistance : 100mΩ Max.
3. Insulation Resistance : 100MΩ Min. at DC 100V
4. Dielectric strength : AC 250V for 1 Minute
5. Operating Force : 160±50gf
6. Stroke : 0.2±0.1mm
7. Life : 500,000 Cycles
8. Operation Temperature Range : -20~+70°C
9. Storage Temperature Range : -30~+80°C
10. Manual soldering : Tip Temperature 350±5°C
Soldering Time 5 Sec.

REVISION:	DATE:	REVISION:	DATE:
UNIT:mm	THIRD ANGLE PROJECTION METHOD	TOL. UNLESS OTHERWISE STATED:±0.2	CODE NO.:HCH-2032
ISSUED	CONFIRMED	PART NO.	
<i>John</i>	<i>Elvis</i>	HCH [®] HORNG CHIH 鴻琪股份有限公司 ISO9001 Certified ISO14001 Certified	
2015.11.30	2015.11.30		