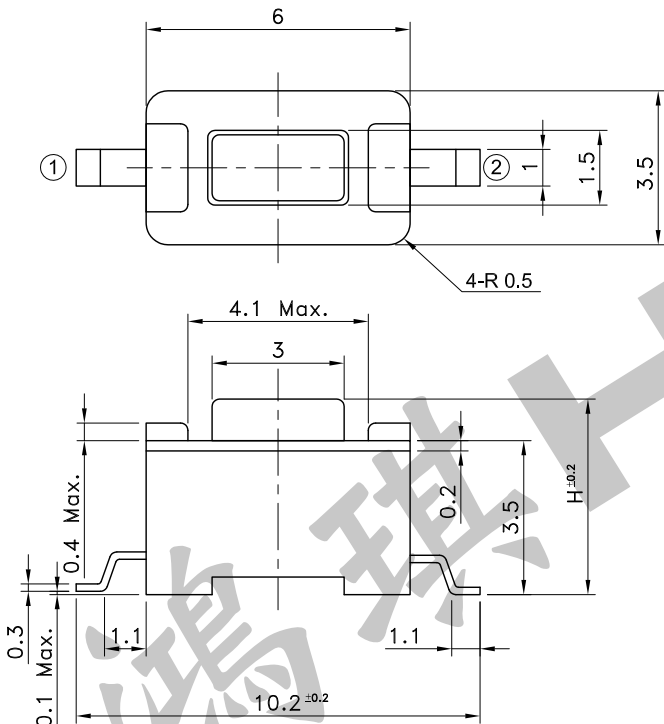
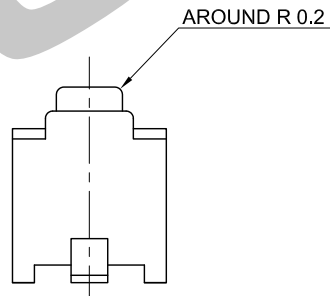


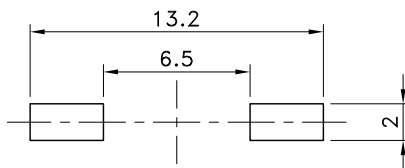
PART NO.	STS-101-A	STS-101-B	STS-102-A	STS-102-B
HIGH (mm)	4.3	4.3	5.0	5.0
STEM COLOR	BLACK	BLACK	BLACK	NATURAL
Operating Force	180±50gf	260±50gf	180±50gf	260±50gf



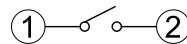
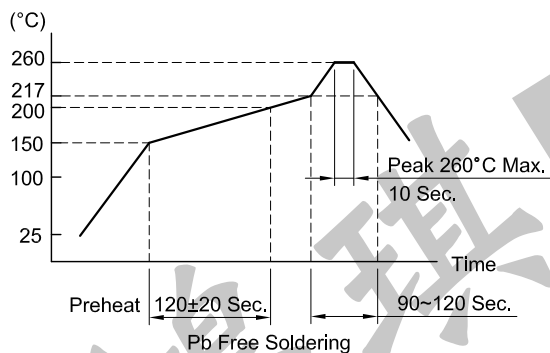
P.C.B TERMINAL POSITION



CIRCUIT ARRANGEMENT



REFLOW SOLDERING CONDITIONS



SPECIFICATIONS

- |                                |                         |
|--------------------------------|-------------------------|
| 1. Rating                      | : DC 12V 50mA           |
| 2. Contact Resistance          | : 100mΩ Max.            |
| 3. Insulation Resistance       | : 100MΩ Min. at DC 100V |
| 4. Dielectric Strength         | : AC 250V for 1 Minute  |
| 5. Circuit                     | : 1Pole 1 Position      |
| 6. Stroke                      | : 0.25±0.1mm            |
| 7. Life                        | : 100,000 Cycles        |
| 8. Taping                      | : 1,800Pcs/Reel         |
| 9. Operating Temperature Range | : -20~+70°C             |
| 10. Storage Temperature Range  | : -30~+80°C             |

REVISION:		DATE:		REVISION:		DATE:	
UNIT:mm		THIRD ANGLE PROJECTION METHOD		TOL. UNLESS OTHERWISE STATED:±0.3		CODE NO.:HCH-346-4	
ISSUED		CONFIRMED		PART NO.		STS-101	
2019.12.11		2019.12.11		HCH® ISO9001 Certified ISO14001 Certified		STS-102	
John		Elvis		HORNG CHIH 鴻琪股份有限公司			