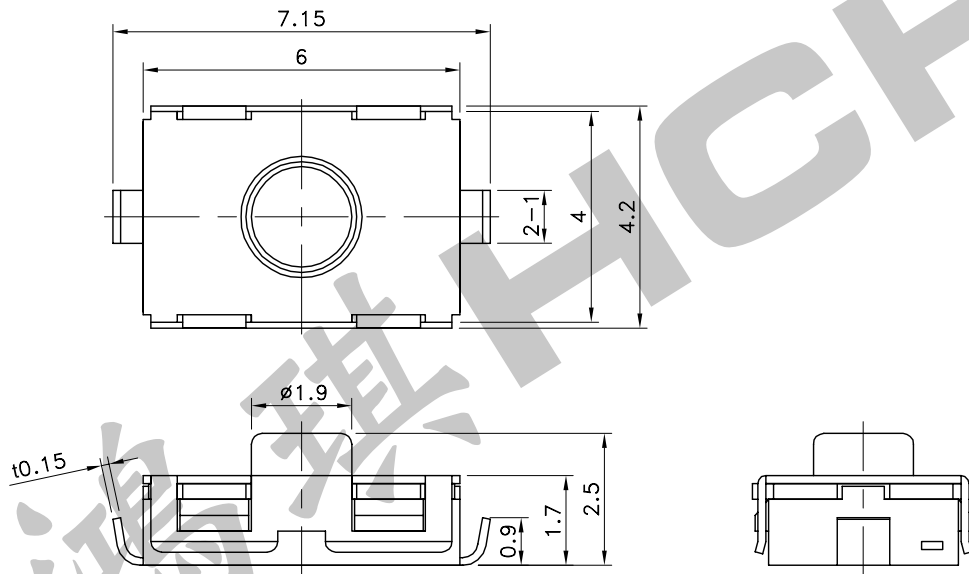
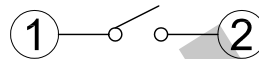
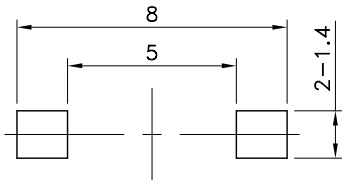


Part No.	Force	Stem Color
STS-096-A	160±50gf	Black
STS-096-B	260±50gf	Red



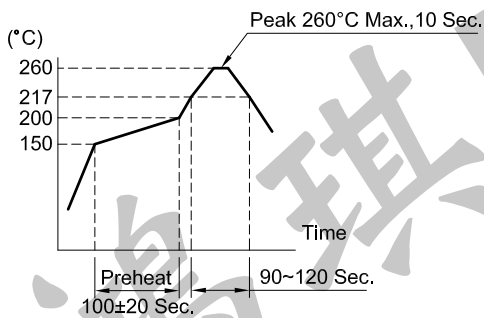
P.C.B TERMINAL POSITION

CIRCUIT ARRANGEMENT



SOLDERING CONDITIONS

SPECIFICATIONS



1. Rating : DC 32V 50mA
2. Contact Resistance : 100mΩ Max.
3. Insulation Resistance : 100MΩ Min. at DC 100V
4. Dielectric Strength : AC 250V for 1 Minute
5. Stroke : 0.5±0.15mm
6. Life : 200,000 Cycles
7. Taping : 2,500 Pcs/Reel
8. Operating Temperature Range : -40~+85°C
9. Storage Temperature Range : -40~+85°C

REVISION:		DATE:		REVISION:		DATE:	
UNIT:mm	THIRD ANGLE PROJECTION METHOD		TOL. UNLESS OTHERWISE STATED:±0.3		CODE NO.:HCH-1127-1		
ISSUED	CONFIRMED		<b>HCH</b> HORNG CHIH ISO9001 Certified 鴻琪股份有限公司 ISO14001 Certified			PART NO.	
John	Elvis					STS-096	
2008.05.09	2008.05.09						