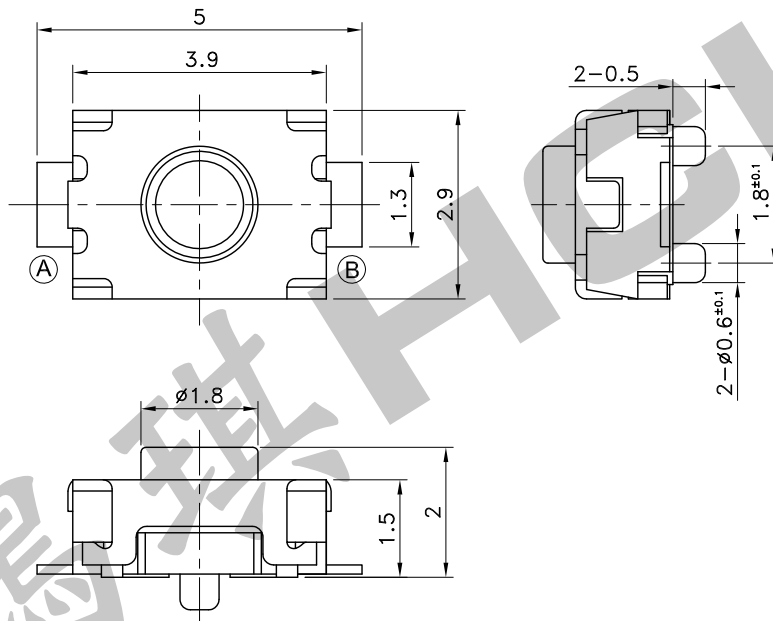
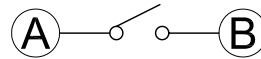
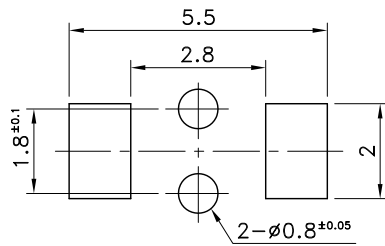


5	Contact	Stainless Steel	Ag Clad	
4	Terminal	Phosphor Bronze	Ag Plating	
3	Cover	Stainless Steel		
2	Stem	LCP		UL94V-0, Black
1	Case	LCP		UL94V-0, Black
No.	Parts	Material	Finish	Remarks

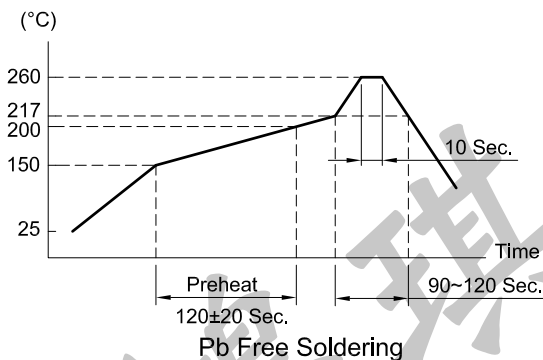


P.C.B TERMINAL POSITION

CIRCUIT ARRANGEMENT



SOLDERING CONDITIONS



SPECIFICATIONS

1. Rating : DC 12V 50mA
2. Contact Resistance : 100mΩ Max.
3. Insulation Resistance : 100MΩ Min. at DC 100V
4. Dielectric Strength : AC 250V for 1 Minute
5. Operating Force : 160±50gf
6. Stroke : 0.2±0.1mm
7. Life : 100,000 Cycles
8. Taping : 3,000 Pcs/Reel
9. Operating Temperature Range : -20~+70°C
10. Storage Temperature Range : -30~+80°C
11. Reflow Soldering Profile : According Reflow Profile Max. 2 Times

REVISION:		DATE:		REVISION:		DATE:	
UNIT:mm		THIRD ANGLE PROJECTION METHOD		TOL. UNLESS OTHERWISE STATED:±0.2		CODE NO.:HCH-1135-5 (N)	
ISSUED		CONFIRMED		HORNG CHIH HCH ISO9001 Certified ISO14001 Certified 鴻琪股份有限公司		PART NO.	
John		Elvis				STS-093-A	
2012.04.10		2012.04.10					