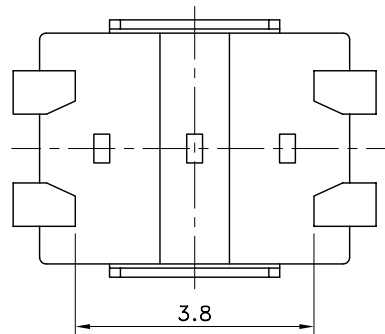
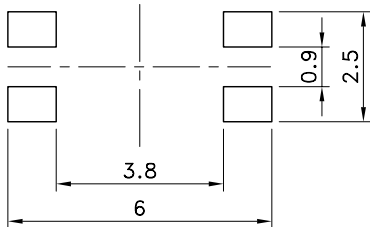


P.C.B TERMINAL POSITION

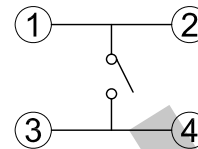
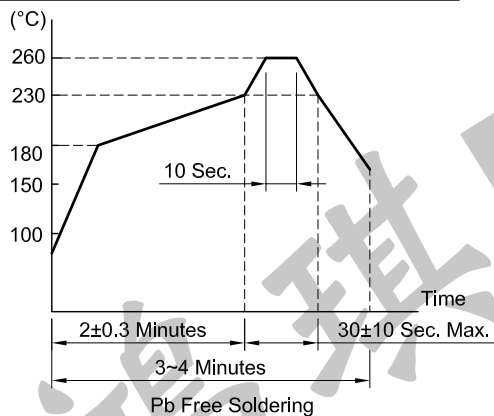
VIEW A



CIRCUIT ARRANGEMENT



REFLOW SOLDERING CONDITIONS



SPECIFICATIONS

- 1. Rating : DC 12V 50mA
- 2. Contact Resistance : 100mΩ Max.
- 3. Insulation Resistance : 100MΩ Min. at DC 100V
- 4. Dielectric strength : AC 250V for 1 Minute
- 5. Operating Force : 250±50gf
- 6. Stroke : 0.2±0.1mm
- 7. Life : 30,000 Cycles
- 8. Taping package : 3,000 Pcs/Reel
- 9. Operation Temperature Range : -45~+85°C
- 10. Storage Temperature Range : -40~+90°C
- 11. Reflow soldering : According Reflow Profile Max. 2 Times

REVISION:		DATE:		REVISION:		DATE:	
UNIT:mm	THIRD ANGLE PROJECTION METHOD	TOL. UNLESS OTHERWISE STATED:±0.3		CODE NO.:HCH-858-4			
ISSUED	CONFIRMED	HCH [®] HORNG CHIH 鴻琪股份有限公司 <small>ISO9001 Certified ISO14001 Certified</small>				PART NO.	
<i>John</i>	<i>Elvis</i>					STS-090-B	
2007.09.19	2007.09.19						