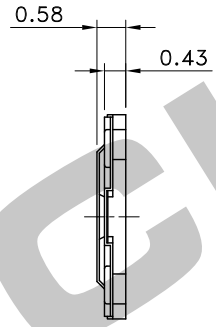
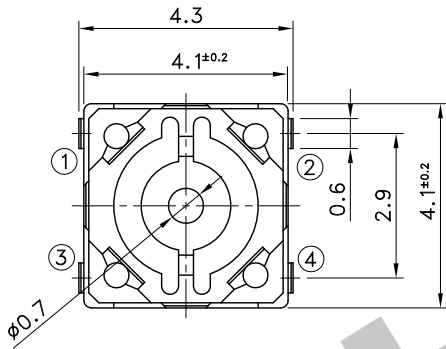
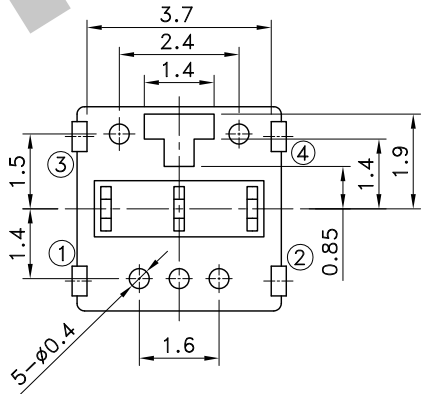
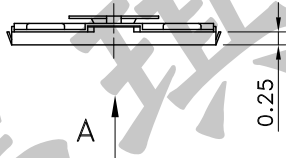


Part No.	Operating Force	Life
STS-08-A	160±50gf	1,000,000 cycle
STS-08-B	240±60gf	500,000 cycle

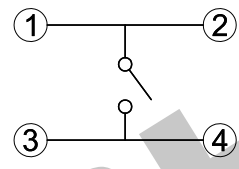
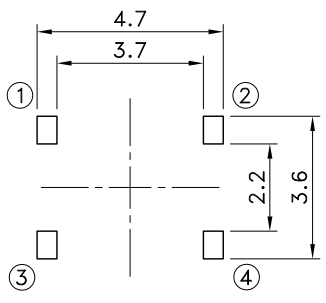


VIEW A



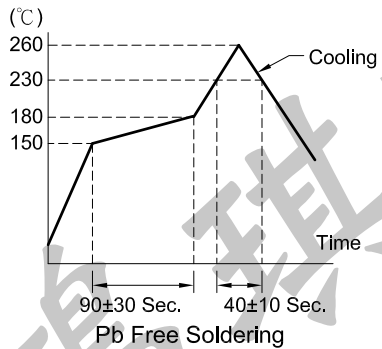
P.C.B TERMINAL POSITION

CIRCUIT ARRANGEMENT



REFLOW SOLDERING CONDITIONS

SPECIFICATIONS



- 1. Rating :DC 15V 20mA
- 2. Circuit :SPST
- 3. Contact Resistance :100mΩ Max.
- 4. Insulation Resistance :50MΩ Min. at DC 100V
- 5. Dielectric Strength :AC 100V for 1 Minute
- 6. Stroke :0.2±0.1mm
- 7. Taping Packing :10,000 Pcs/Reel

REVISION: \_\_\_\_\_ DATE: \_\_\_\_\_ REVISION: \_\_\_\_\_ DATE: \_\_\_\_\_

UNIT:mm THIRD ANGLE PROJECTION METHOD TOL. UNLESS OTHERWISE STATED:±0.1 CODE NO.:HCH-288-4

ISSUED	CONFIRMED	<b>HORNG CHIH</b> 鴻琪股份有限公司 <small>ISO9001 Certified ISO14001 Certified</small>	PART NO.
<i>John</i>	<i>Elvis</i>		<b>STS-08</b>
2015.12.28	2015.12.28		