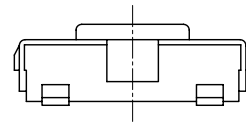
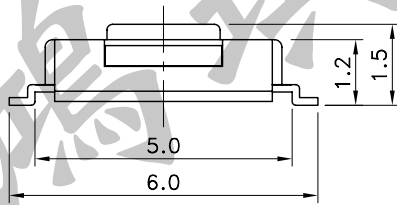
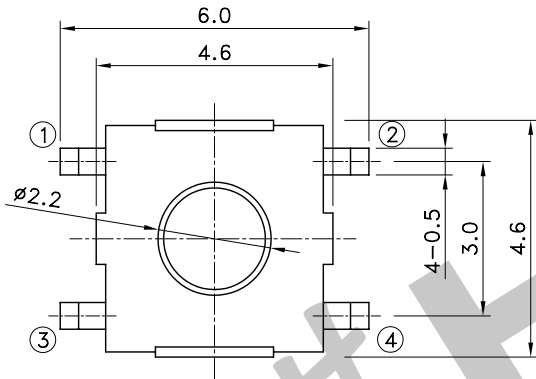
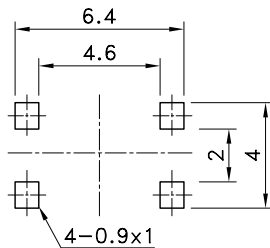


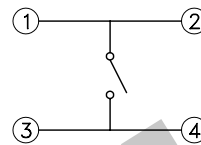
Part No.	Force	Life	Stem Color
STS-076-A	160±50 gf	1,000,000 Cycles	Ivory
STS-076-B	250±50 gf	500,000 Cycles	Black



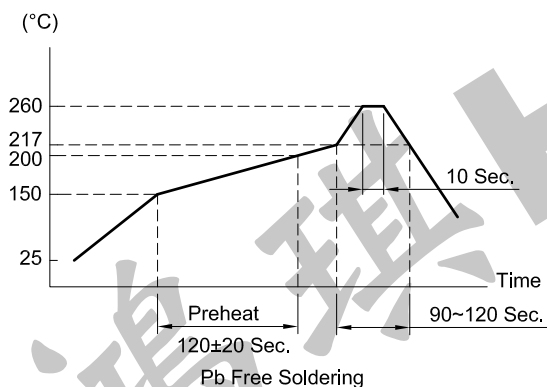
### P.C.B TERMINAL POSITION



### CIRCUIT ARRANGEMENT




### REFLOW SOLDERING CONDITIONS



### SPECIFICATIONS

1. Rating : DC 12V 50mA
2. Contact Resistance : 50mΩ Max.
3. Insulation Resistance : 100MΩ Min at DC 100V.
4. Dielectric Strength : AC 250V for 1 minute
5. Circuit : 1 Pole 1 Position
6. Stroke : 0.25<sup>+0.2</sup><sub>-0.1</sub> mm
7. Bounce : 10m sec Max
8. Taping : 4,000 Pcs/Reel

REVISION:		DATE:		REVISION:		DATE:	
UNIT:mm	THIRD ANGLE PROJECTION METHOD		TOL. UNLESS OTHERWISE STATED:±0.3		CODE NO.:HCH-282-1		
ISSUED	CONFIRMED		 <b>HORNG CHIH</b> 鴻琪股份有限公司 <small>ISO9001 Certified</small>		PART NO.  <b>STS-076</b>		
<i>John</i>	<i>Joey</i>						
2006.04.17	2006.04.17						