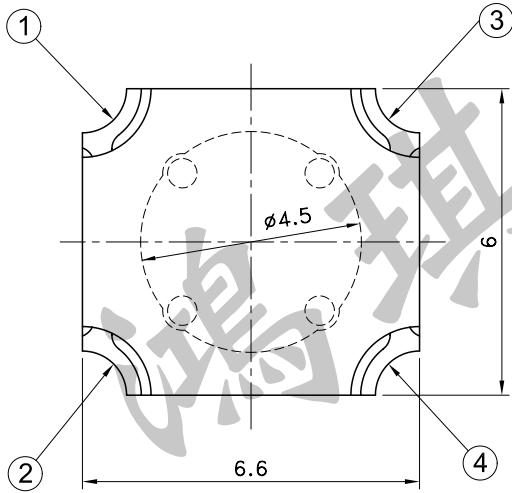
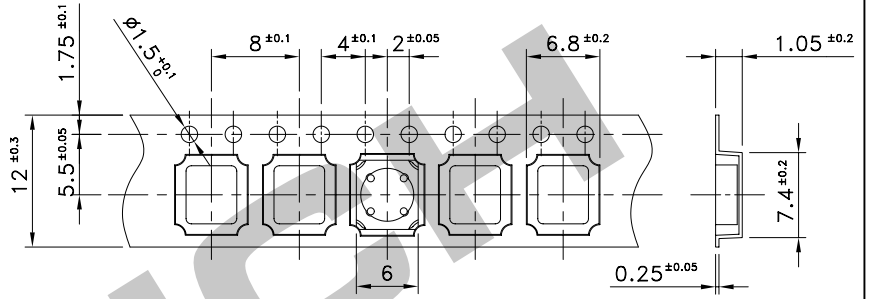
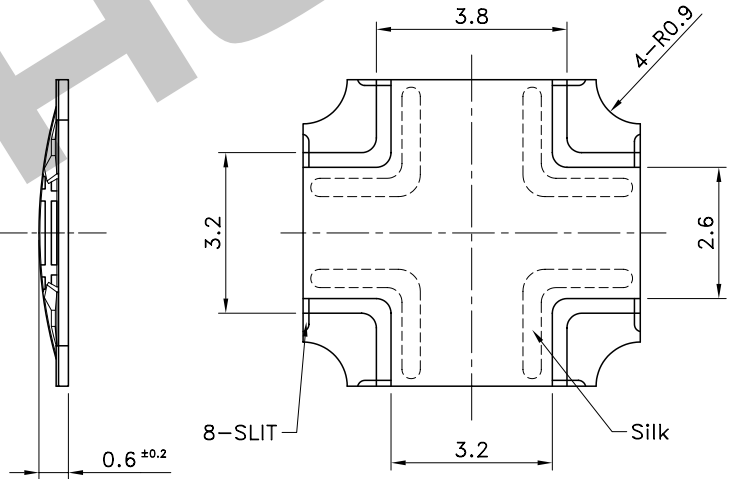


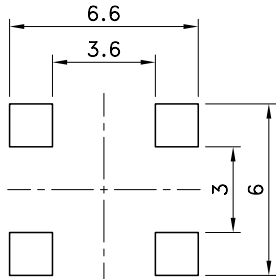
3	Contact	Stainless Steel	Ag-Plated
2	Cover Tape	Polyimide	Adhesive
1	PWB	Glass-Epoxy With Copper Double Sided	Au-Plated
No.	Parts	Material	Finish



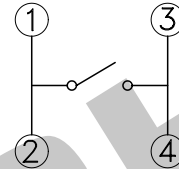
P.C.B TERMINAL POSITION



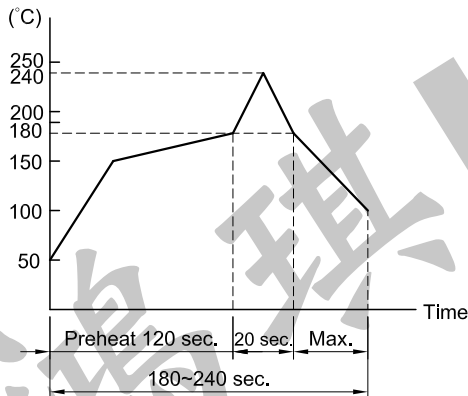
CIRCUIT ARRANGEMENT



REFLOW SOLDERING CONDITIONS



SPECIFICATIONS



- | | |
|---------------------------------|-----------------------|
| 1. Rating | :DC 12V 50mA |
| 2. Contact Resistance | :1Ω Max. |
| 3. Insulation Resistance | :100MΩ Min. |
| 4. Dielectric Strength | :AC 100V for 1 Minute |
| 5. Operating Force | :160±50gf |
| 6. Circuit | :SPST |
| 7. Stroke | :0.22±0.1 mm |
| 8. Life | :100,000 cycle |
| 9. Taping Packing | :1,000 Pcs/Reel |
| 10. Operating Temperature Range | :-20~+70°C |

REVISION: _____ DATE: _____ REVISION: _____ DATE: _____

UNIT:mm THIRD ANGLE PROJECTION METHOD TOL. UNLESS OTHERWISE STATED:±0.3 CODE NO.:HCH-338

ISSUED	CONFIRMED	HORNG CHIH 鴻琪股份有限公司 ISO9001 Certified	PART NO.
 2003.04.18	 2003.04.18		STS-068