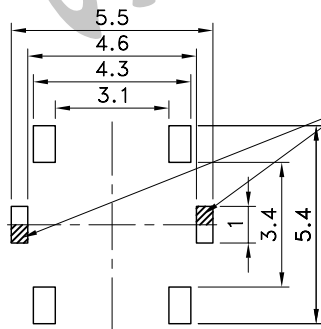
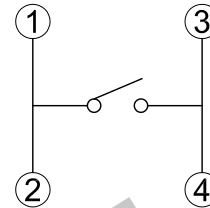


P.C.B TERMINAL POSITION

CIRCUIT ARRANGEMENT

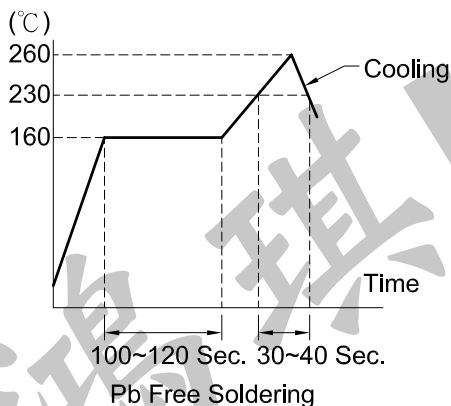


GROUND PIN:
 The thickness of cream solder: 150~200 μ.
 We recommend to connect the GND land shown in the switch spec. with the GND of your P.C.B for withstanding electric-static discharge.



REFLOW SOLDERING CONDITIONS

SPECIFICATIONS



- 1. Rating : DC 15V 20mA
- 2. Contact Resistance : 50mΩ Max.
- 3. Insulation Resistance : 50MΩ Min. at DC 100V
- 4. Dielectric Strength : AC 250V for 1 Minute
- 5. Operating Force : 100±50gf
- 6. Circuit : SPST
- 7. Stroke : 0.25^{+0.1}_{-0.2} mm
- 8. Life : 1,000,000 Cycles
- 9. Taping : 5,000 Pcs/Reel

REVISION:		DATE:		REVISION:		DATE:	
UNIT:mm		THIRD ANGLE PROJECTION METHOD		TOL. UNLESS OTHERWISE STATED:±0.3		CODE NO.:HCH-138-2	
ISSUED		CONFIRMED		HORNG CHIH 鴻琪股份有限公司 <small>ISO9001 Certified ISO14001 Certified</small>		PART NO.	
 2005.07.11		 2005.07.11				STS-06	