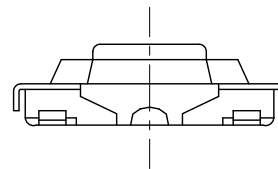
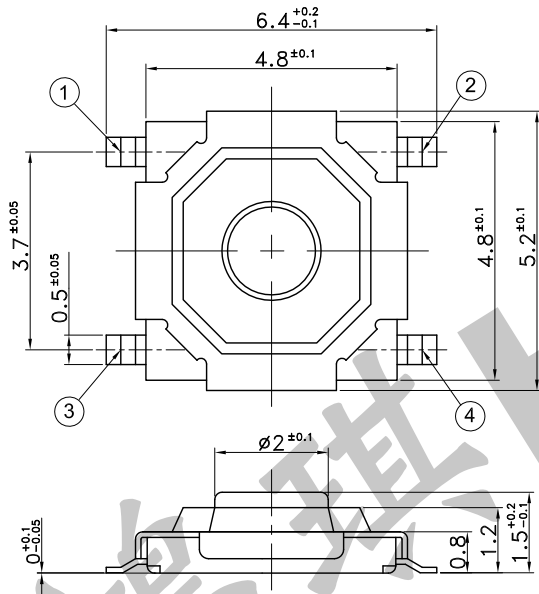
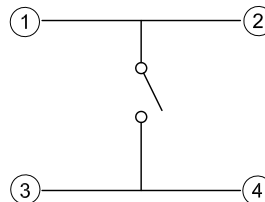
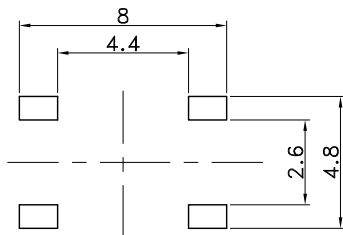


6	Stem	Brass C2680		
5	Dust Cover	PI Film		
4	Contact	SUS301	Ag Plated	
3	Cover	Stainless Steel		
2	Case	PA9T		Black
1	Terminal	Brass C2680	Ag Plating	
No.	Parts	Materials	Finish	Remarks



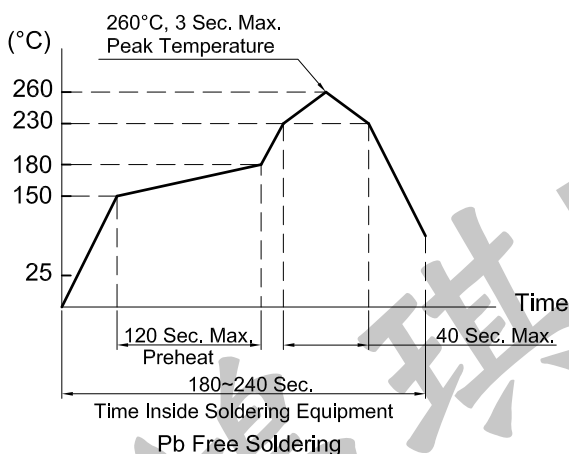
P.C.B TERMINAL POSITION

CIRCUIT ARRANGEMENT



REFLOW SOLDERING CONDITIONS

SPECIFICATIONS



- Rating : DC 12V 50mA Max.
- Contact Resistance : 100mΩ Max.
- Insulation Resistance : 100MΩ Min. at DC 100V
- Dielectric Strength : AC 250V for 1 Minute
- Operating Force : 260±50 gf
- Stroke : 0.25±0.1 mm
- Life : 100,000 Cycles
- Taping : 3,000 Pcs/Reel
- Operating Temperature Range : -20°C~+70°C
- Storage Temperature Range : -30°C~+80°C

REVISION: _____ DATE: _____ REVISION: _____ DATE: _____

UNIT:mm THIRD ANGLE PROJECTION METHOD TOL. UNLESS OTHERWISE STATED:±0.2 CODE NO.:HCH-308-5

ISSUED	CONFIRMED	HORNG CHIH 鴻琪股份有限公司 <small>ISO9001 Certified ISO14001 Certified</small>	PART NO.
John	Elvis		STS-059-B
2015.05.28	2015.05.28		