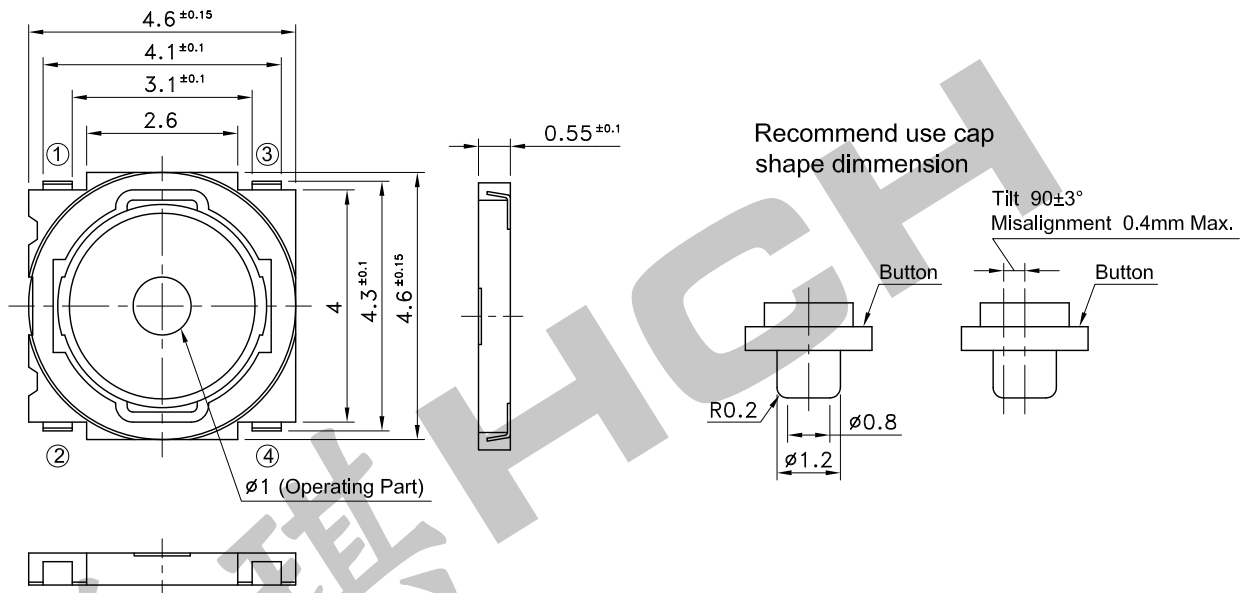
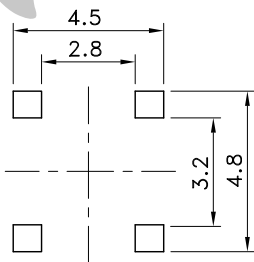


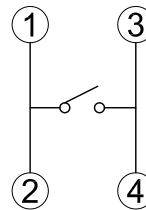
Part No.	Operating Force	Life	Case Color
STS-051-A	160±50gf	500,000 Cycles	Black
STS-051-B	260±70gf	50,000 Cycles	Gray



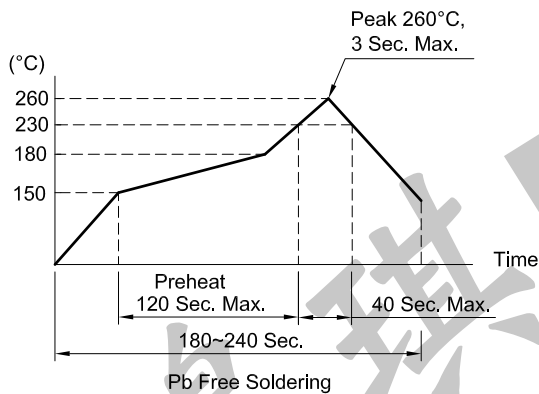
P.C.B TERMINAL POSITION



CIRCUIT ARRANGEMENT



SOLDERING CONDITIONS



SPECIFICATIONS

- Rating : DC 15V 20mA  
DC 12V 50mA
- Contact Resistance : 100mΩ Max.
- Insulation Resistance : 100MΩ Min. at DC 100V
- Dielectric strength : AC 250V for 1 Minute
- Stroke : 0.2<sup>+0.15</sup><sub>0</sub> mm
- Package : 5,000 Pcs/Reel
- Operation Temperature Range : -20~+70°C
- Storage Temperature Range : -30~+80°C
- Reflow Soldering Profile : According Reflow Profile 2 Times Max.
- Manual soldering : Tip Temperature 350°C Max.  
Soldering Time 3 Sec. Max.

REVISION:	DATE:	REVISION:	DATE:
UNIT:mm	THIRD ANGLE PROJECTION METHOD	TOL. UNLESS OTHERWISE STATED:±0.3	CODE NO.:HCH-2219
ISSUED	CONFIRMED	PART NO.	
<i>John</i>	<i>Elvis</i>	<b>STS-051</b>	
2018.10.19	2018.10.19	<b>HCH</b> <sup>®</sup> HORNG CHIH 鴻琪股份有限公司 <small>ISO9001 Certified ISO14001 Certified</small>	