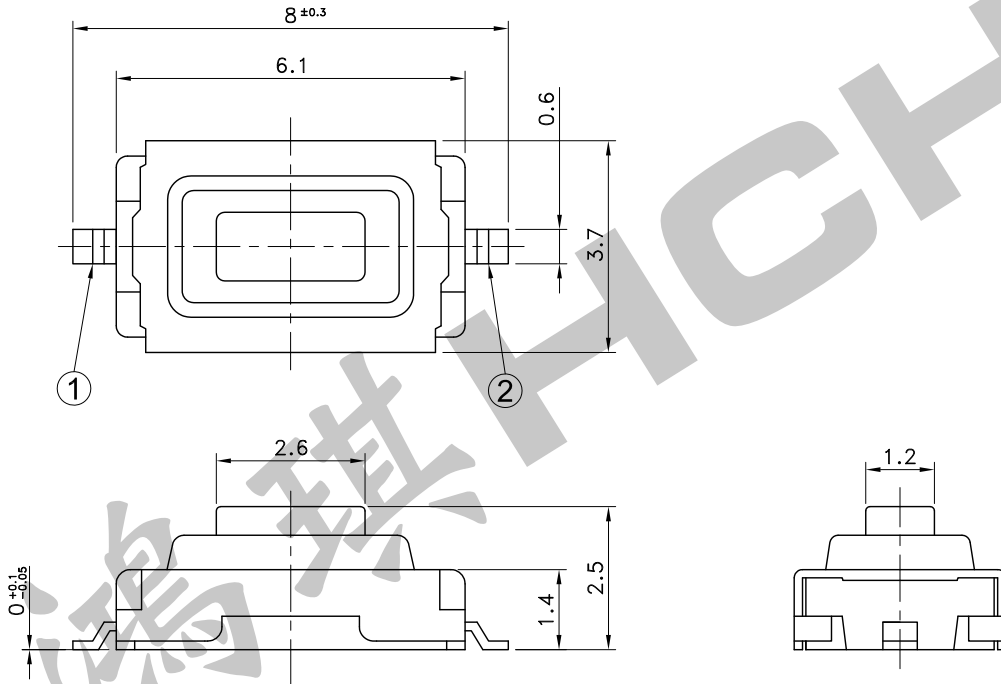
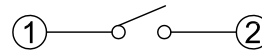
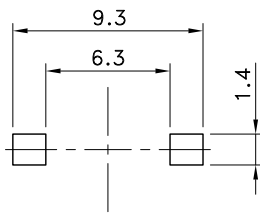


6	Dust Cover	PTFE	
5	Terminal	Brass C2680	Ag Plated
4	Contact	SUS301	Ag Plated
3	Cover	SUS304	
2	Case	PA6T	
1	Push Plate	PA6T	
No.	Parts	Material	Remarks

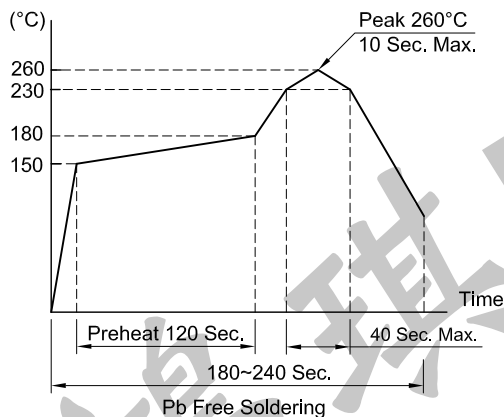


P.C.B TERMINAL POSITION

CIRCUIT ARRANGEMENT



REFLOW SOLDERING CONDITIONS



SPECIFICATIONS

- 1. Rating : DC 12V 50mA
- 2. Contact Resistance : 100mΩ Max.
- 3. Insulation Resistance : 100MΩ Min. at DC 100V
- 4. Dielectric strength : AC 250V for 1 Minute
- 5. Operating Force : 160±50gf
- 6. Stroke : 0.25±0.1mm
- 7. Life : 50,000 Cycles
- 8. Taping package : 3,000 Pcs/Reel
- 9. Operation Temperature Range : -20~+70°C
- 10. Storage Temperature Range : -30~+80°C

REVISION:		DATE:		REVISION:		DATE:	
UNIT:mm		THIRD ANGLE PROJECTION METHOD		TOL. UNLESS OTHERWISE STATED:±0.2		CODE NO.:HCH-883-4	
ISSUED		CONFIRMED		<b>HCH</b> HORNG CHIH ISO9001 Certified ISO14001 Certified 鴻琪股份有限公司		PART NO. <b>STS-04-D</b>	
<i>John</i> 2017.03.28		<i>Elvis</i> 2017.03.28					