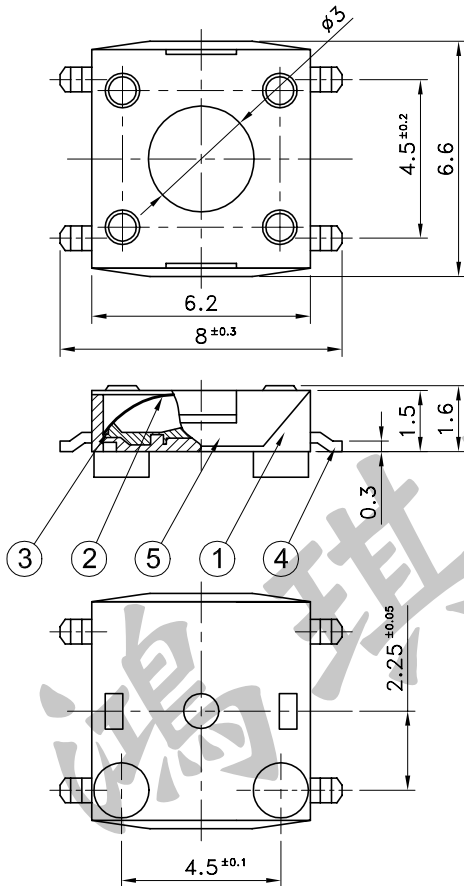
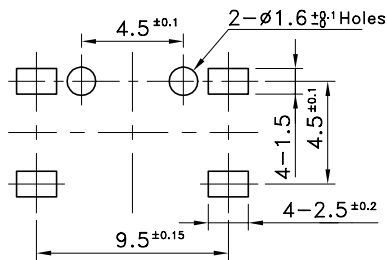


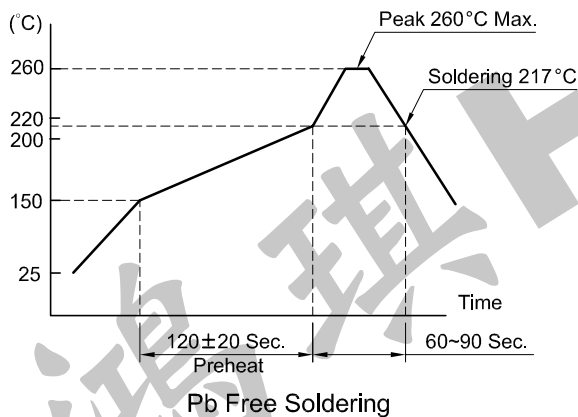
5	Bracket	1	Nickel Silver	
4	Terminal	1	C2680R-EH	Ag 1 μ
3	C/Plate	1	C5210R-EH	Ag Clad 0.5 μ
2	Cover	1	PI Film	
1	Case	1	P.P.S	Black
No.	Parts	Q'ty	Material	Remarks



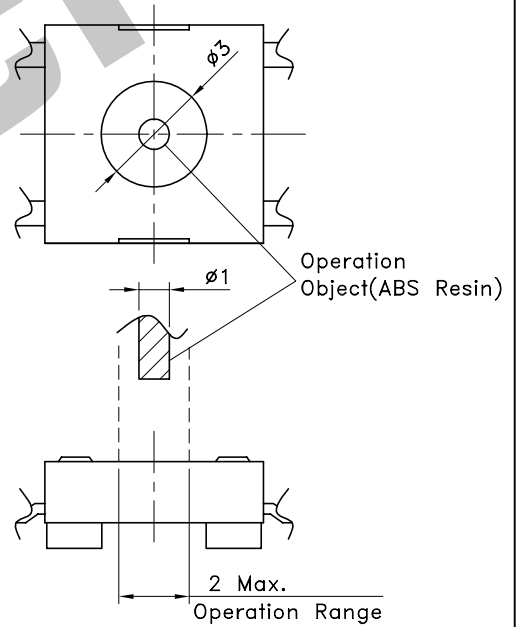
P.C.B TERMINAL POSITION



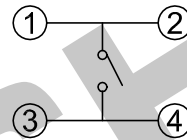
REFLOW SOLDERING CONDITIONS



OPERATION MODE



CIRCUIT ARRANGEMENT



SPECIFICATIONS

- | | |
|--------------------------------|--------------------------------|
| 1. Rating | :DC 12V 50mA |
| 2. Contact Resistance | :100m Ω Max. |
| 3. Insulation Resistance | :100M Ω Min. at DC 100V |
| 4. Dielectric strength | :AC 250V for 1 Minute |
| 5. Operating Force | :100 \pm 30gf |
| 6. Stroke | :0.25 $^{+0.2}_{-0.1}$ mm |
| 7. Life | :50,000 Cycles |
| 8. Taping package | :2,200 Pcs/Reel |
| 9. Operation Temperature Range | :-20~70 $^{\circ}$ C |

REVISION:		DATE:		REVISION:		DATE:	
UNIT:mm		THIRD ANGLE PROJECTION METHOD		TOL. UNLESS OTHERWISE STATED:±0.3		CODE NO.:HCH-886-1	
ISSUED		CONFIRMED		PART NO.			
<i>Elvis</i>		<i>Joey</i>		HCH HORNG CHIH		STS-024	
2004.11.12		2004.11.12		ISO9001 Certified ISO14001 Certified 鴻琪股份有限公司			