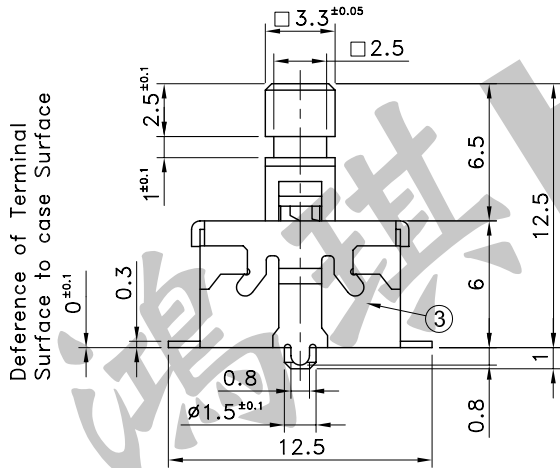
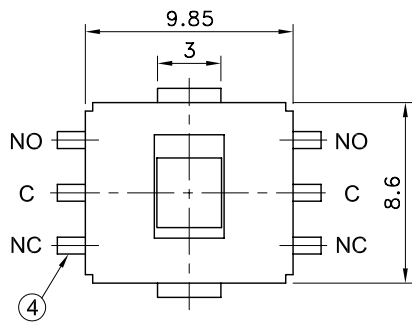


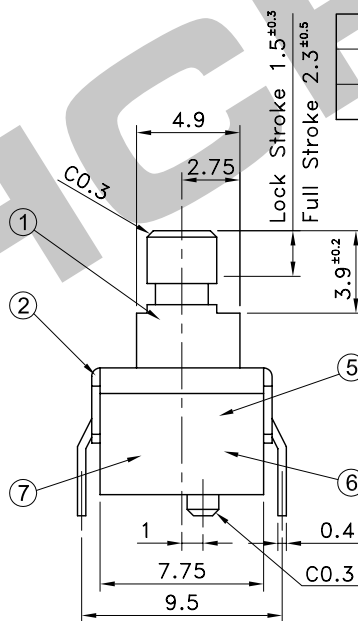
7	Stopper	Piano Wire		
6	Coil Spring	Piano Wire		
5	Contact Piece	Phosphor Bronze	Silver Plating	
4	Terminal	Brass	Silver Plating	
3	Case	PPS Resin		Black, 94V-0
2	Cover	Steel	Tin Plating	
1	Lever	PA Resin		Light Yellow Color, 94HB
No.	Parts	Material	Finish	Remarks

\* STS-019N without ⑦

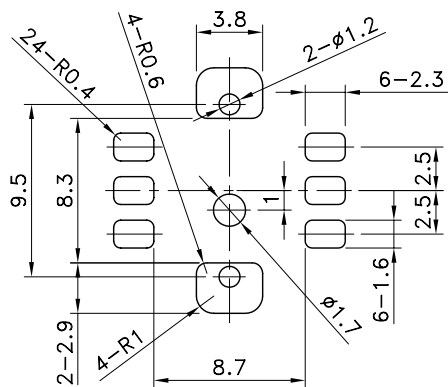
Part No.	Operating
STS-019S	PUSH TO LOCK
STS-019N	PUSH NO LOCK



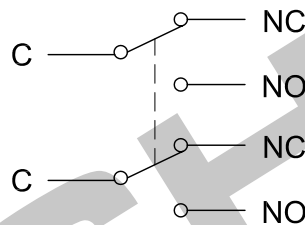
P.C.B TERMINAL POSITION



CIRCUIT ARRANGEMENT

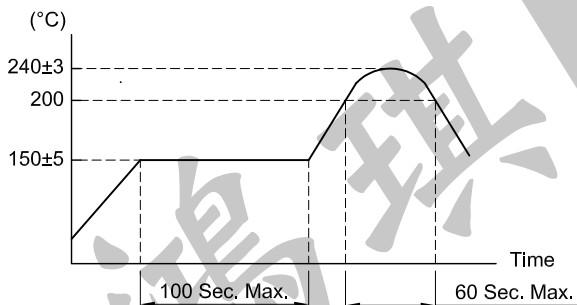


SOLDERING CONDITIONS



SPECIFICATIONS

- Rating : DC3V 50μA~DC14V 200mA
- Insulation Resistance : 100MΩ Min. at DC 500V
- Dielectric strength : AC 500V for 1 Minute
- Operating Force : 300±100gf
- Stroke : Full 2.3±0.5 Lock 1.5±0.3mm
- Life : 20,000 Cycles
- Package : 300 Pcs/Reel
- Operating Temperature Range : -40~+85°C



REVISION: \_\_\_\_\_ DATE: \_\_\_\_\_ REVISION: \_\_\_\_\_ DATE: \_\_\_\_\_

UNIT:mm THIRD ANGLE PROJECTION METHOD TOL. UNLESS OTHERWISE STATED:±0.3 CODE NO.: HCH-1156

ISSUED	CONFIRMED	<b>HCH</b> ISO9001 Certified ISO14001 Certified <b>HORNG CHIH</b> 鴻琪股份有限公司	PART NO.
John	Joey		STS-019
2006.11.21	2006.11.21		