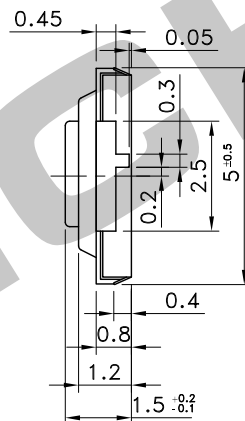
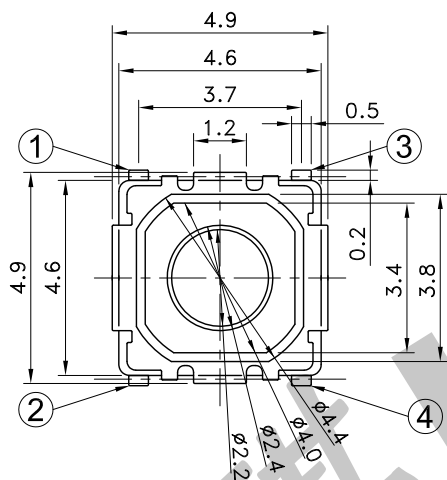
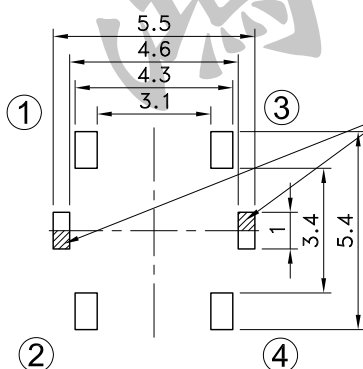


Part No.	Operating Force	Life
STS-013	100±50gf	2,000,000 Cycles
STS-013-A	160±50gf	2,000,000 Cycles

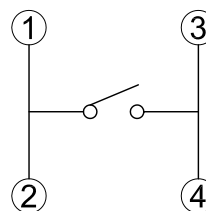


P.C.B TERMINAL POSITION

CIRCUIT ARRANGEMENT

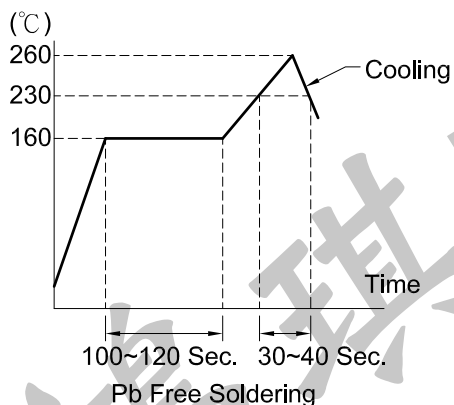


**GROUND PIN:**  
 The thickness of cream solder:150~200 μ  
 We recommend to connect the GND land shown in the switch spec. with the GND of your P.C.B for withstanding electric-static discharge.



REFLOW SOLDERING CONDITIONS

SPECIFICATIONS



1. Rating : DC 15V 20mA
2. Contact Resistance : 50mΩ Max.
3. Insulation Resistance : 50MΩ Min. at DC 100V
4. Dielectric Strength : AC 250V For 1 Minute
5. Stroke : 0.25±0.1 mm
6. Taping : 5,000 Pcs/Reel
7. Operating Temperature Range : -40~+85°C
8. Storage Temperature Range : -40~+85°C (Bulk)  
: -20~+60°C (Taping)
9. Reflow Soldering Profile : According Reflow Profile  
Max. 2 Times

REVISION:	DATE:	REVISION:	DATE:
-----------	-------	-----------	-------

UNIT:mm	THIRD ANGLE PROJECTION METHOD	TOL. UNLESS OTHERWISE STATED:±0.2	CODE NO.:HCH-2389
---------	-------------------------------	-----------------------------------	-------------------

ISSUED	CONFIRMED	<b>HCH</b> ISO9001 Certified ISO14001 Certified <b>HORNG CHIH</b> 鴻琪股份有限公司	PART NO.
<i>John</i> 2021.03.02	<i>Elvis</i> 2021.03.02		<b>STS-013</b> <b>STS-013-A</b>