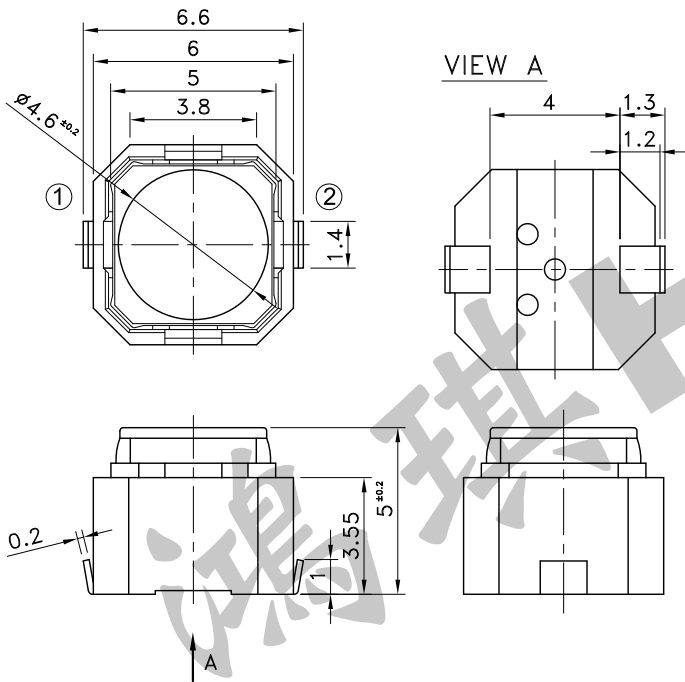


5	Terminal	Brass Strip	
4	Contact	Phosphor Bronze	
3	Rubber Stem	Silicone Rubber	
2	Housing Comb	LCP Resin	
1	Cover	PPA Resin	Black
No.	Name	Material	Remarks

Part No.	Operating Force	Stroke	Click
STS-012-B	250±70gf	1.3 ^{+0.2} _{-0.3} mm	High
STS-012-C	300±80gf	1.3 ^{+0.2} _{-0.3} mm	High

Tolerances Unless Otherwise Spec.	
L ≤ 10	±0.3
10 < L < 100	±0.5
100 ≤ L	±0.8
Angle	±5°



Design Notice:

- (1) Design key top, please must larger than diameter $\phi 2.0$ mm min. and width $\phi 2.0$ mm min.
- (2) Key top inclination 10 deg. max. as FIG-1
- (3) The dimension between switch and the center of operating knob must be 1.0 mm max.
- (4) To avoid the damage of key top, initial push the switch, please set 0.2 mm max. as FIG-2. If need change the setting of above items, please contact with the supplier first.

FIG-1

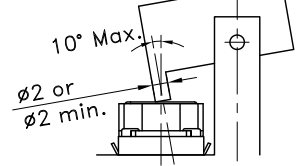
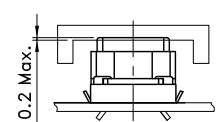
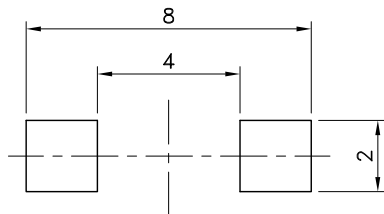


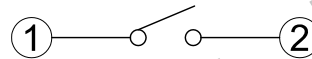
FIG-2



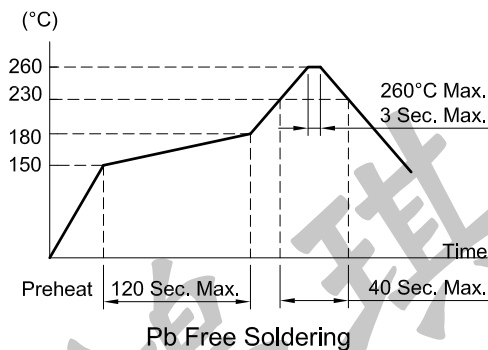
P.C.B TERMINAL POSITION



CIRCUIT ARRANGEMENT



REFLOW SOLDERING CONDITIONS



SPECIFICATIONS

1. Rating : DC 16V 50mA Max.
DC 1V 10 μ A Min.
2. Contact Resistance : 100m Ω Max.
3. Insulation Resistance : 100M Ω Min. at DC 100V
4. Dielectric strength : AC 250V for 1 Minute
5. Life : 100,000 Cycles
6. Taping Package : 2,000 Pcs/Reel
7. Operating Temperature Range : -40~+90°C
8. Storage Temperature Range : -40~+90°C
9. Reflow soldering : According Reflow Profile
Max. 2 Times
10. Non Washable (Including peripheral)

REVISION:	DATE:	REVISION:	DATE:
-----------	-------	-----------	-------

UNIT:mm	THIRD ANGLE PROJECTION METHOD	TOL. UNLESS OTHERWISE STATED:	CODE NO.: HCH-360-13
---------	-------------------------------	-------------------------------	----------------------

ISSUED	CONFIRMED		HORNG CHIH 鴻琪股份有限公司	PART NO.
<i>John</i> 2022.08.09	<i>Elvis</i> 2022.08.09			STS-012-B STS-012-C