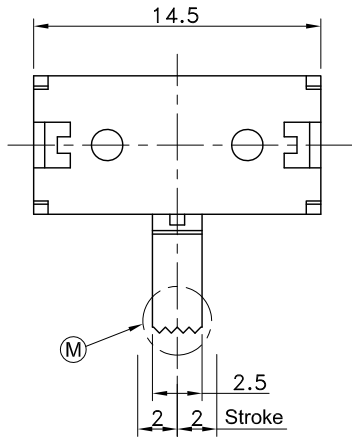
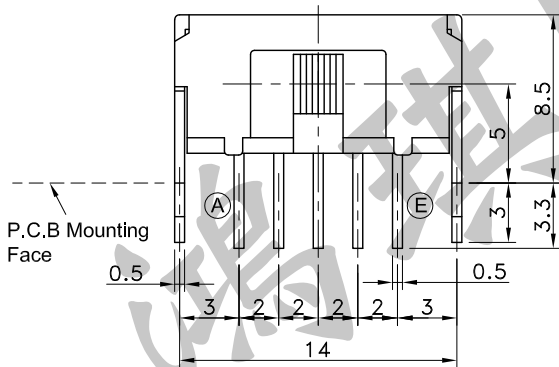
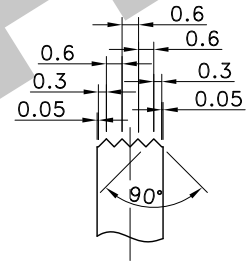


Part No.	L
SST-2321	6 mm
SST-2322	9 mm

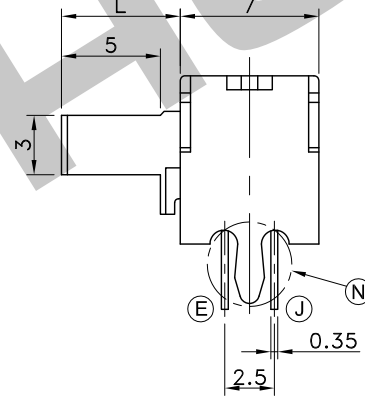
Tolerances Unless Otherwise	
L ≤ 10	±0.3
10 < L ≤ 100	±0.5
100 < L	±0.8
Angle	±3°



Detail (M)

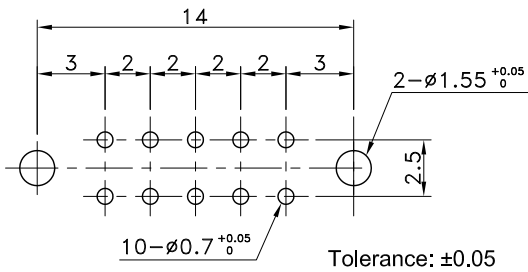
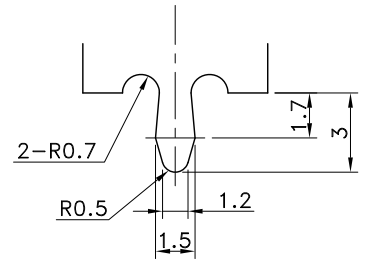


P.C.B TERMINAL POSITION



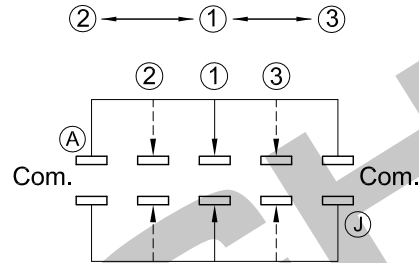
CIRCUIT ARRANGEMENT

Detail (N)



SOLDERING CONDITIONS


Movement Direction



SPECIFICATIONS

- Rating : DC 30V 100mA
- Contact Resistance : 25mΩ Max.
- Insulation Resistance : 100MΩ Min. at DC 500V
- Dielectric Strength : AC 500V for 1 Minute
- Operating Force : Side → Center:220±100gf  
Center → Side:300±150gf
- Stroke : 2mm
- Life : 10,000 Cycles
- Operating Temperature Range : -40~+85°C

	Temperature (°C)	Time (Sec.)
Auto Soldering	260±5	5 <sup>+0</sup> <sub>-1</sub>
Manual Soldering	350±10	5 Max.

REVISION:	DATE:	REVISION:	DATE:
UNIT:mm	THIRD ANGLE PROJECTION METHOD	TOL. UNLESS OTHERWISE STATED:	CODE NO.:HCH-2330
ISSUED	CONFIRMED	PART NO.	
<i>John</i>	<i>Elvis</i>	SST-2321	
2020.03.10	2020.03.10	SST-2322	
		<b>HORNG CHIH</b> 鴻琪股份有限公司	