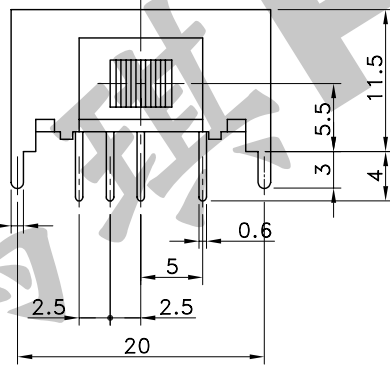
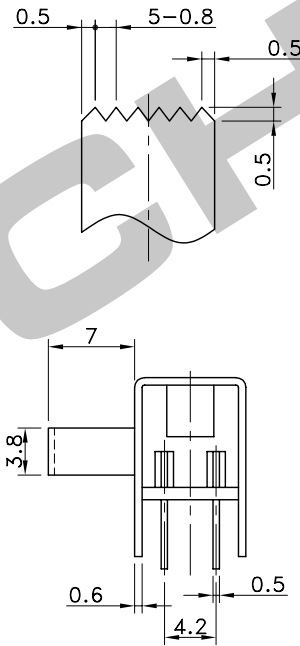
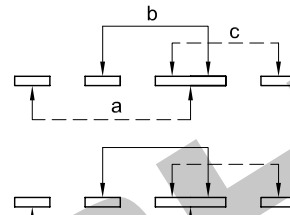
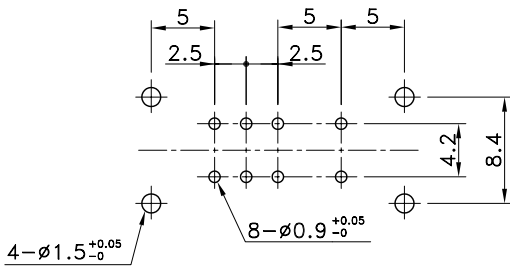


Detail of Knob



P.C.B TERMINAL POSITION

CIRCUIT ARRANGEMENT




SOLDERING CONDITIONS

SPECIFICATIONS

	Temperature (°C)	Time (Sec.)
Auto Soldering	270±5	5±1
Manual Soldering	350±10	3

- Rating : DC 30V 300mA
- Contact Resistance : 20mΩ Max.
- Insulation Resistance : 100MΩ Min. at DC 500V
- Dielectric Strength : [Between Terminals] AC 500V for 1 Minute
[Between Terminals and Earth] AC 500V for 1 Minute
- Operating Force : Side → Center: 300±150gf
Center → Side: 400±200gf
- Stroke : 2.5 mm
- Life : 10,000 Cycles
- Operating Temperature Range : -10~+60°C

REVISION:	DATE:	REVISION:	DATE:
UNIT:mm	THIRD ANGLE PROJECTION METHOD	TOL. UNLESS OTHERWISE STATED:±0.3	CODE NO.: HCH-1470
ISSUED	CONFIRMED	PART NO.	
<i>John</i>	<i>Elvis</i>	HORNG CHIH	
2009.02.25	2009.02.25	 HORNG CHIH 鴻琪股份有限公司	
		SST-2317	