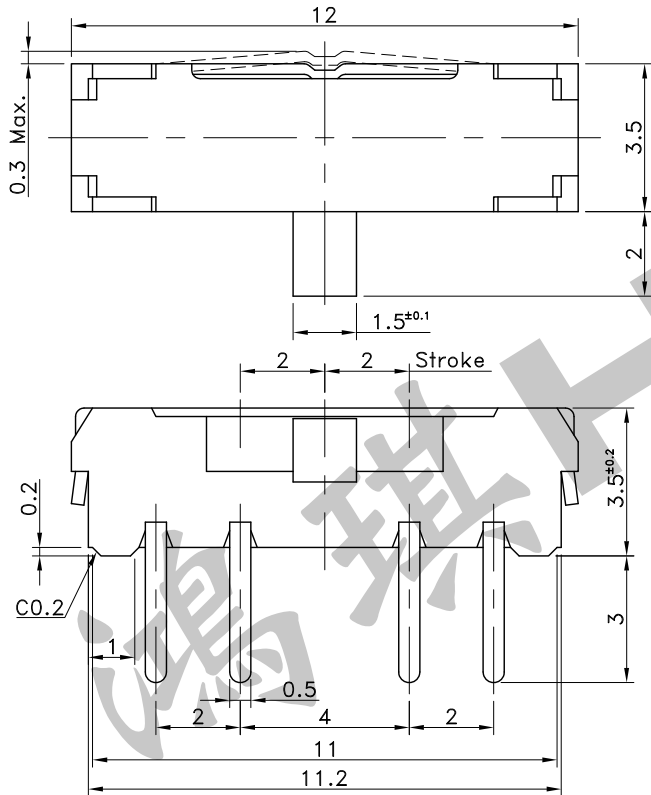
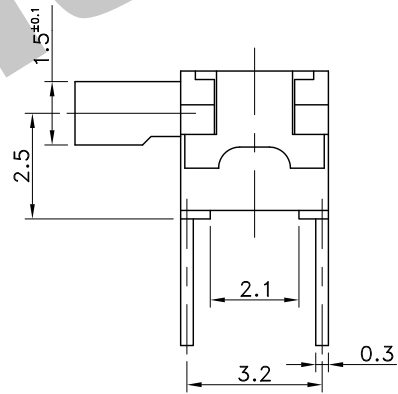


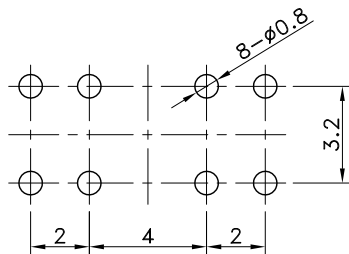
5	Contactors	t:0.1 PBS-EH	2	Cladding with Silver	
4	Cover	t:0.2 SUS304	1		
3	Terminals	t:0.3 BSR-H	8	Silver Plated	
2	Knob	Nylon66	1	Molding	Natural
1	Case	PPS	1	Molding	Black
No.	Parts	Material	Q'ty	Finish	Remarks



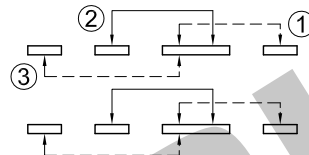
P.C.B TERMINAL POSITION



CIRCUIT ARRANGEMENT



SOLDERING CONDITIONS



SPECIFICATIONS

	Temperature (°C)	Time (Sec.)
Manual Soldering	380	3 Max.

- 1. Rating : DC 12V 200mA
- 2. Contact Resistance : 50mΩ Max.
- 3. Insulation Resistance : 100MΩ Min. at DC 500V
- 4. Dielectric Strength : AC 500V for 1 Minute
- 5. Operating Force : Side → Center: 150±100gf
Center → Side: 250±150gf
- 6. Stroke : 2mm
- 7. Life : 10,000 Cycles
- 8. Operating Temperature Range: -10~+60°C

REVISION:		DATE:		REVISION:		DATE:	
UNIT:mm	THIRD ANGLE PROJECTION METHOD	TOL. UNLESS OTHERWISE STATED:±0.3		CODE NO.:HCH-1147-1			
ISSUED	CONFIRMED	HCH ISO9001 Certified ISO14001 Certified 鴻琪股份有限公司		PART NO.			
<i>John</i>	<i>Elvis</i>			SST-2308			
2016.06.23	2016.06.23						