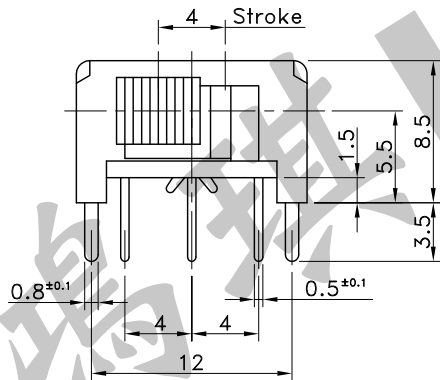
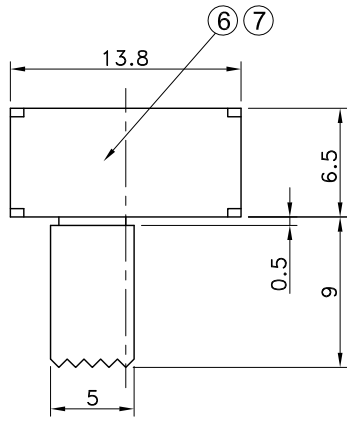
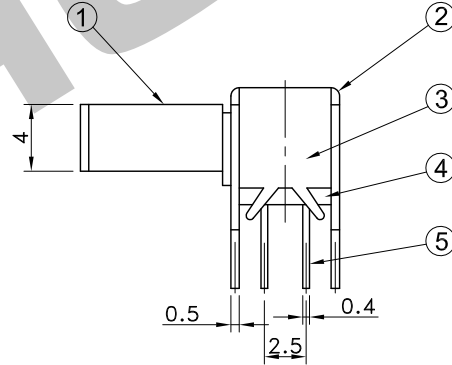


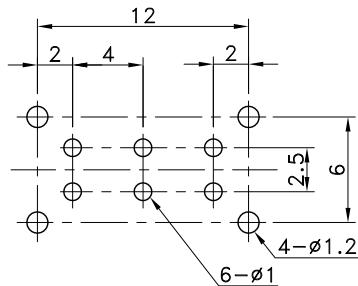
7	Steel Ball	Stainless Steel	1		
6	Coil Spring	Stainless Steel	1		
5	Terminal	Brass	2	Ag Plating	
4	Insulator	Bakelite	1		
3	Clip	Phosphor Bronze	2	Ag clad	
2	Frame	Cold Rolled Carbon Steel	1	Sn Plating	
1	Slider	Acetal	1		UL94HB, Black
No.	Parts	Material	Q'ty	Finish	Remark



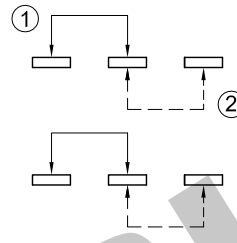
P.C.B TERMINAL POSITION



VIEW OF PARTS INSTALL SIDE



SOLDER HEAT RESISTANCE



SPECIFICATIONS

- Rating :DC 15V 500mA
- Contact Resistance :20mΩ Max.
- Insulation Resistance :100MΩ Min. at DC 500V
- Dielectric Strength :[Between Terminals]  
AC 800V for 1 Minute  
[Between Terminals and Ground]  
AC 1100V for 1 Minute
- Operating Force : 250±100gf
- Stroke :4 mm
- Life :10,000 Cycles
- Operating Temperature Range :-10~+60°C

	Temperature (°C)	Time (Sec.)
Dip Soldering	270±5	5±1
Manual Soldering	350±10	3

REVISION:	DATE:	REVISION:	DATE:
UNIT:mm	THIRD ANGLE PROJECTION METHOD	TOL. UNLESS OTHERWISE STATED:±0.3	CODE NO.: HCH-967-2
ISSUED	CONFIRMED	PART NO.	
<i>John</i>	<i>Joey</i>	<b>SST-2205</b>	
2026.02.13	2026.02.13	<b>HCH</b> ISO9001 Certified ISO14001 Certified <b>HORNG CHIH</b> 鴻琪股份有限公司	