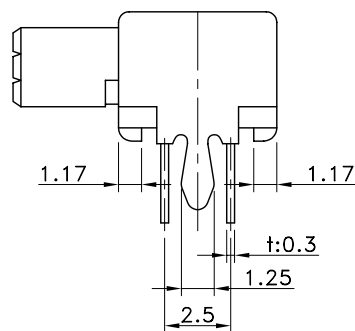
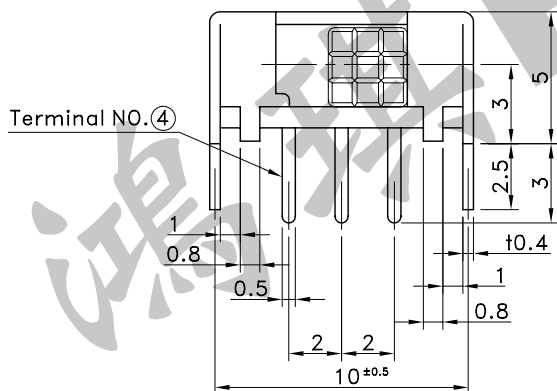
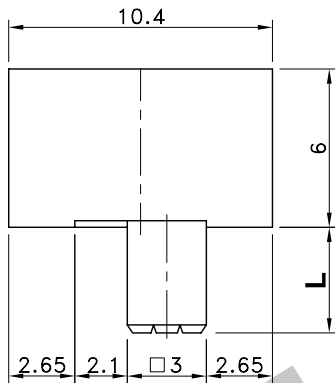


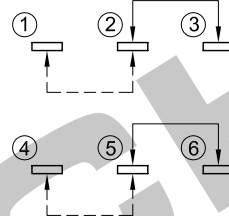
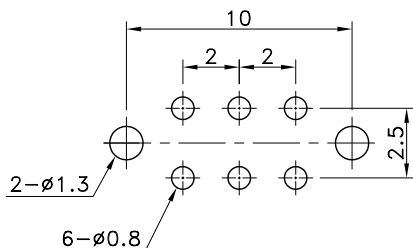
5	Coil Spring	Stainless Steel		
4	Steel Ball	Stainless Steel		
5	Insulator	Bake Lite		
4	Frame	Cold Rolled, Carbon Steel	Sn Plating	
3	Terminal	Brass	Ag Plating	
2	Slider	Nylon66		UL 94HB, Black
1	Clip	Phosphor Bronze	Ag Clad	
No.	Parts	Material	Finish	Remarks

Part No.	L
SST-2201	4.0mm
SST-2202	6.0mm



P.C.B TERMINAL POSITION

VIEW OF PARTS INSTALL SIDE



SOLDER HEAT RESISTANCE

SPECIFICATIONS

	Temperature (°C)	Time (Sec.)
Dip Soldering	260±5	5±1
Manual Soldering	350±10	3

- Rating : DC 30V 200mA
- Contact Resistance : 30mΩ Max.
- Insulation Resistance : 100MΩ Min. at DC 500V
- Dielectric Strength : [Between Terminals] AC 800V for 1 Minute
[Between Terminals and Earth] AC 1100V for 1 Minute
- Operating Force : 200±100gf
- Stroke : 2 mm
- Life : 10,000 Cycles
- Operating Temperature Range : -10~+60°C

REVISION:	DATE:	REVISION:	DATE:
UNIT:mm	THIRD ANGLE PROJECTION METHOD	TOL. UNLESS OTHERWISE STATED:±0.3	CODE NO.:HCH-549-5
ISSUED	CONFIRMED	PART NO.	
John	Elvis	SST-2201	
2008.12.2	2008.12.2	SST-2202	
		HORNG CHIH 鴻琪股份有限公司	