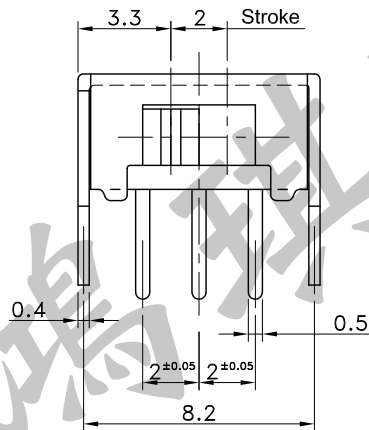
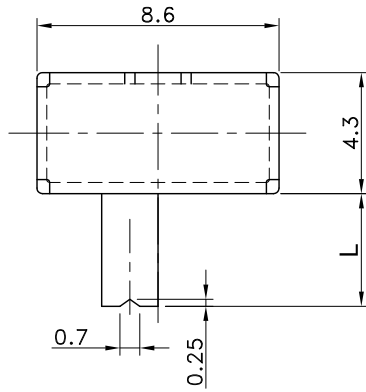
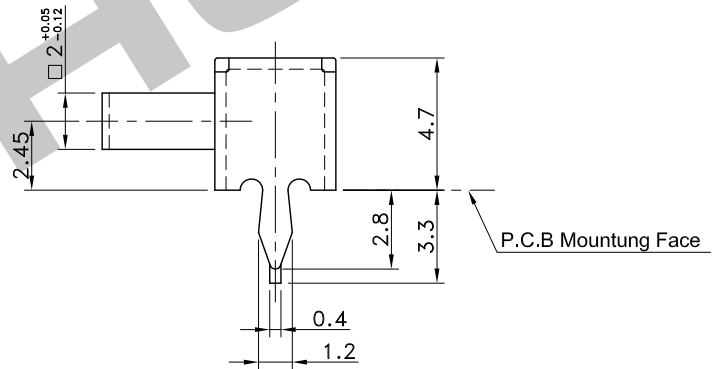


Part No.	L
SST-1234	2 mm
SST-1235	4 mm
SST-1236	5.6 mm

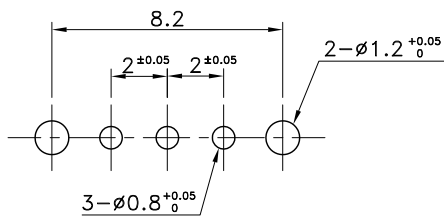
Tolerances Unless Otherwise	
L ≤ 10	±0.3
10 < L ≤ 100	±0.5
100 < L	±0.8
Angle	±3°



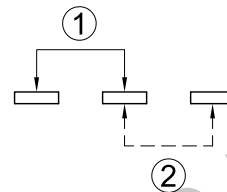
P.C.B TERMINAL POSITION



CIRCUIT ARRANGEMENT



SOLDERING CONDITIONS



SPECIFICATIONS

1. Rating : DC 12V 100mA
2. Contact Resistance : 25mΩ Max.
3. Insulation Resistance : 100MΩ Min. at DC 500V
4. Dielectric Strength : AC 500V for 1 Minute
5. Operating Force : 250±150gf
6. Stroke : 2mm
7. Life : 10,000 Cycles
8. Operating Temperature Range : -10~+85°C

	Temperature (°C)	Time (Sec.)
Auto Soldering	260±5	5 <sup>+0</sup> <sub>-1</sub>
Manual Soldering	350±10	5 Max.

REVISION:	DATE:	REVISION:	DATE:
UNIT:mm	THIRD ANGLE PROJECTION METHOD	TOL. UNLESS OTHERWISE STATED:	CODE NO.: HCH-2325
ISSUED	CONFIRMED	PART NO.	
<i>John</i>	<i>Elvis</i>	SST-1234	
2020.03.02	2020.03.02	SST-1235	
		SST-1236	
		HCH <sup>®</sup> HORNG CHIH	
		鴻琪股份有限公司	
		ISO9001 Certified ISO14001 Certified	